

Egismos *DATASHEET*

660nm Compact Laser Diode Modules Key features

Visible light $\lambda = 660\text{nm}$
Output powers = 50mW
Package type = 5.6mm Φ
High reliability

Applications

Laser Pointer & General Purpose Red Laser Light Source
Laser Module & High Precision Engineering Instruments
Optical Sensor Application of Engineering Instruments



LS-D6-7-660-50

Laser Diode Solutions

LS-D6-7-660-50 is a MOCVD grown 660nm band InGaAs laser diode. It's an attractive light source, with a typical light output power of CW 50mW. It's suitable for use as high reliability laser diode in a wide range of industrial application.

Electrical and Optical Characteristics at $T_c = 25^\circ\text{C}$

Item	Symbols	Min.	Typ.	Max.	Unit	Condition
Optical Output Power	Po	-	50	-	mW	-
Threshold Current	I _{th}	-	50	70	mA	Po=50mW
Operating Current	I _{op}	-	100	120	mA	Po=50mW
Differential Efficiency	η	-	1.0	1.3	mW/mA	Po=50mW
Operating Voltage	V _{op}	-	2.6	2.8	V	Po=50mW
Peak Wavelength	λ_p	653	658	663	nm	Po=50mW
Beam Divergence	$\Theta_{//}$	-	9.5	-	deg	Po=50mW
	Θ_{\perp}	-	20	-	deg	Po=50mW
Beam Angle	$\Delta\Theta_{//}$	-3	-	+3	deg	Po=50mW
	$\Delta\Theta_{\perp}$	-3	-	+3	deg	Po=50mW

Egismos

<http://www.egismos.com>

TEL: +1-888-3481454

FAX: +1-604-4339864

E-Mail: sales@egismos.com

Egismos *DATASHEET*

Absolute Maximum Rating at Tc=25°C

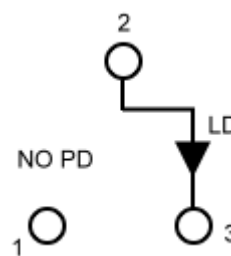
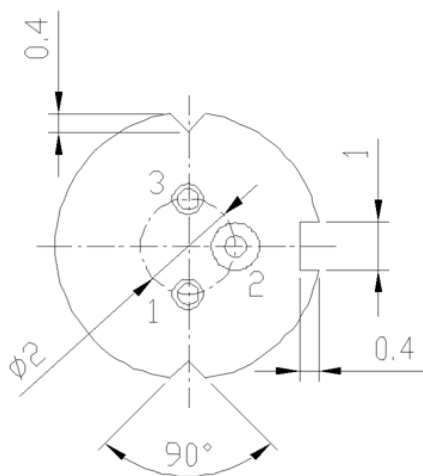
Items	Symbols	Values	Unit
Optical Output Power	Po	50	mW
Laser Diode Reverse Voltage	V	2	V
Operating Temperature	To	-10~+75	°C
Storage Temperature	Ts	-40~+100	°C



LS-D6-7-660-50

Electrical Connection

Package Type



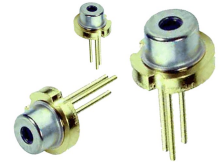
X type

Egismos

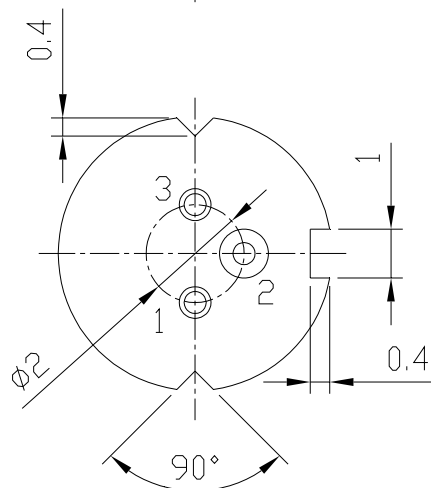
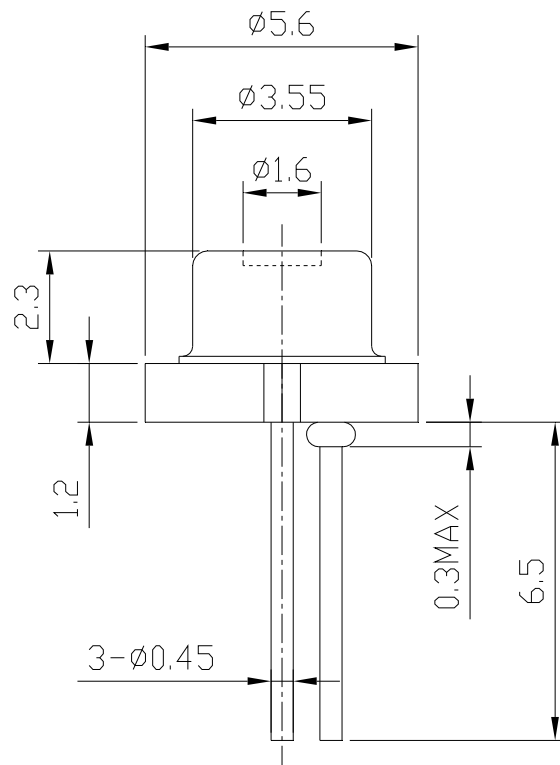
<http://www.egismos.com>
 TEL:+1-888-3481454
 FAX:+1-604-4339864
 E-Mail:sales@eGismos.com

Egismos *DATASHEET*

Laser Diode Package Drawing



LS-D6-7-660-50



Egismos

<http://www.egismos.com>

TEL: +1-888-3481454

FAX: +1-604-4339864

E-Mail: sales@egismos.com