

Egismos *DATASHEET*

780nm Compact Laser Diode Modules Key features

Visible light $\lambda = 780\text{nm}$
 Output powers = 100mW
 Package type = 5.6mm ϕ
 High reliability

Applications

General Purpose Infrared Red Laser Light Source
 Printer Scanner Unit & Infrared Red Laser Module for Industry Application
 Optical Storage & High Precision Engineering Instruments
 Vircore Keyboard / CD R/RW



RS-D6-6-785-100

Laser Diode Solutions

RS-D6-6-780-100 is a MOCVD grown 780nm band laser diode. It's an attractive light source, with a typical light output power of CW 5mW. It's suitable for use as high reliability laser diode in a wide range of industrial application.

Electrical and Optical Characteristics at $T_c = 25^\circ\text{C}$

Item	Symbols	Min.	Typ.	Max.	Unit	Condition
Threshold Current	I _{th}	25	35	55	mA	P _o =1~10mW
Operating Current	I _{op}	90	115	160	mA	P _o =100mW
Operating Voltage	V _{op}	1.5	2	2.2	V	P _o =100mW
Peak Wavelength	λ_p	775	785	795	nm	P _o =100mW
Beam Divergence	$\Theta_{//}$	7.5	9	10	deg	P _o =100mW
	Θ_{\perp}	15	17	19	deg	P _o =100mW
Beam Angle	$\Delta\Theta_{//}$	-2	0	+2	deg	P _o =100mW
	$\Delta\Theta_{\perp}$	-2	0	+2	deg	P _o =100mW
Monitor Current	I _m	0.1	0.5	0.7	mA	P _o =100mW V _r =5V
Optical Distance	$\Delta X, \Delta Y, \Delta Z$	-80	0	+80	μm	P _o =100mW

Egismos

<http://www.egismos.com>
 TEL: +1-888-3481454
 FAX: +1-604-4339864
 E-Mail: sales@egismos.com

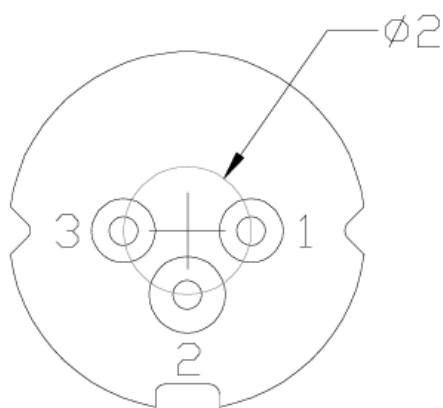
Egismos *DATASHEET*

Absolute Maximum Rating at Tc=25°C

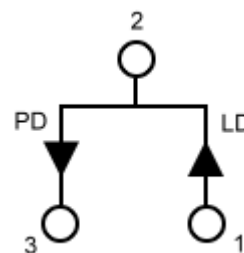
Items	Symbols	Values	Unit
Optical Output Power	Po	100(CW)	mW
	Pop	220(Pulsed*)	mW
Laser Diode Reverse Voltage	V	2	V
Operating Temperature	To	-10~+70	°C
Storage Temperature	Ts	-40~+85	°C

*Pulse width 0.5us,duty cycle 50%

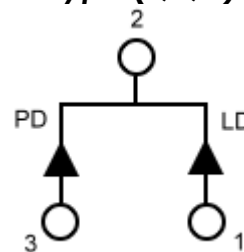
Electrical Connection



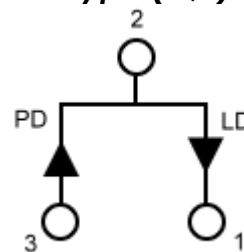
Package Type



P type (P,U,C)



M type (M,R)



N type (N,L,A)

Egismos

<http://www.egismos.com>

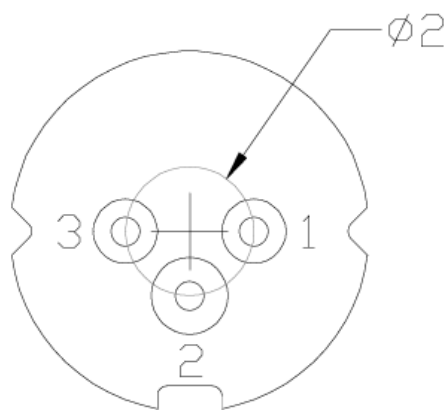
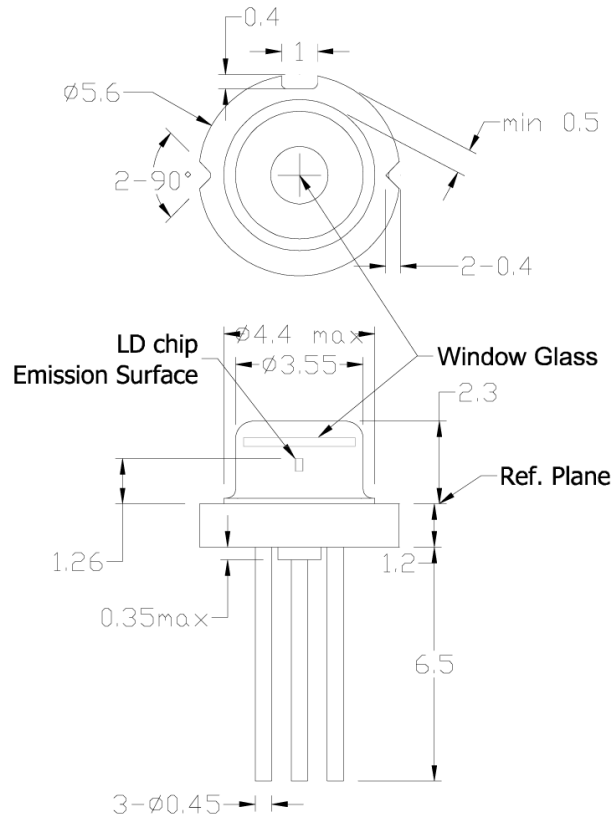
TEL:+1-888-3481454

FAX:+1-604-4339864

E-Mail:sales@eGismos.com

Egismos *DATASHEET*

Laser Diode Package Drawing



Egismos

<http://www.egismos.com>
TEL: +1-888-3481454
FAX: +1-604-4339864
E-Mail: sales@egismos.com