

Egismos *DATASHEET*

655m Compact Laser Diode Modules Key features

Visible light $\lambda = 655\text{nm}$
 Output power = 10mW
 Package type = 5.6mm ϕ
 High reliability
Applications

Laser Pointer & General Purpose Red Laser Light Source
 Bar Code Reader & High Precision Measuring Instruments
 Laser Module & High Precision Engineering Instruments
Laser Diode Solutions

RS-D6-5-655-10 is a MOCVD grown 655nm band InGaAlP laser diode. It's an attractive light source, with a typical light output power of 10mW. It's suitable for use as high reliability laser diode in a wide range of industrial application.



RS-D6-5-655-10

Electrical and Optical Characteristics at $T_c = 25^\circ\text{C}$

Item	Symbols	Min.	Typ.	Max.	Unit	Condition
Threshold Current	I _{th}	-	18	20	mA	
Operating Current	I _{op}	-	28	30	mA	P _o =10mW
Operating Voltage	V _{op}	-	2.2	2.5	V	P _o =10mW
Peak Wavelength	λ_p	645	655	660	nm	P _o =10mW
Differential efficiency	η	0.7	0.85	1.2	MW/mA	P _o =5~7mW
Beam Divergence	$\Theta_{//}$	6	9.5	12	deg	P _o =10mW
	Θ_{\perp}	25	28	32	deg	P _o =10mW
Beam Angle	$\Delta\Theta_{//}$	-2	0	+2	deg	P _o =10mW
	$\Delta\Theta_{\perp}$	-2	0	+2	deg	P _o =10mW
Monitor Current	I _m	0.1	0.3	0.4	mA	P _o =10mW, V _{RD} =5V
Emission point accuracy	$\Delta X, \Delta Y, \Delta Z$	-80	0	+80	μm	P _o =10mW,

Egismos

<http://www.egismos.com>

TEL: +1-888-3481454

FAX: +1-604-4339864

E-Mail: sales@egismos.com

Egismos *DATASHEET*

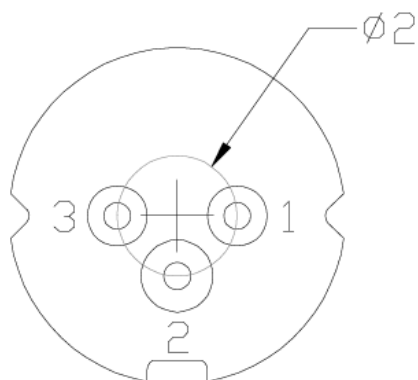
Absolute Maximum Rating at Tc=25°C

Items	Symbols	Values	Unit
Light output power	Po	10	mW
Reverse voltage(LD)	V _{RL}	2	V
Reverse volgate(PD)	V _{RD}	30	V
Forward current(PD)	I _{FD}	10	mA
Case Temperature	Tc	-10~+50	°C
Storage Temperature	Ts	-40~+85	°C

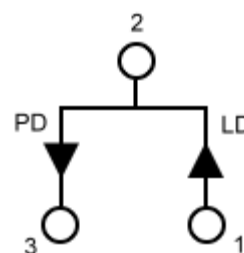


RS-D6-5-655-10

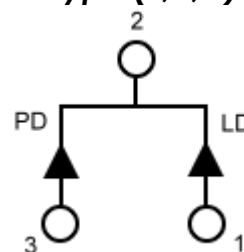
Electrical Connection



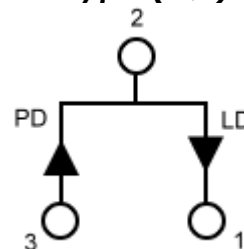
Package Type



P type (P,U,C)



M type (M,R)



N type (N,L,A)

Egismos

<http://www.egismos.com>

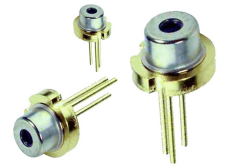
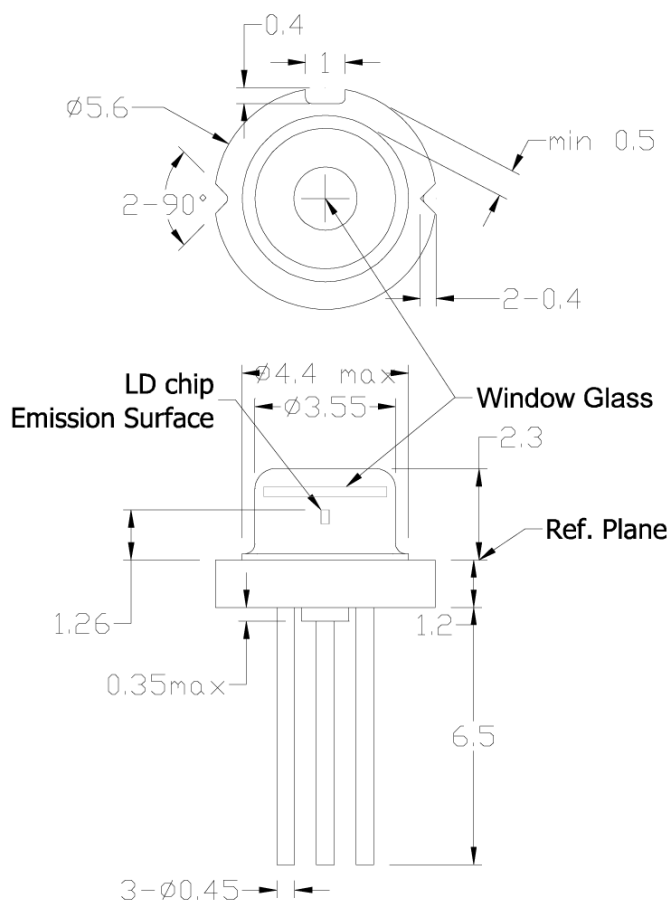
TEL:+1-888-3481454

FAX:+1-604-4339864

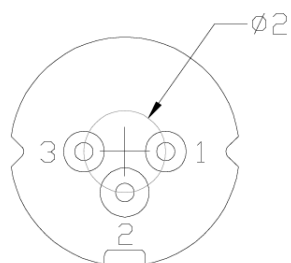
E-Mail:sales@eGismos.com

Egismos *DATASHEET*

Laser Diode Package Drawing



RS-D6-5-655-10



Egismos

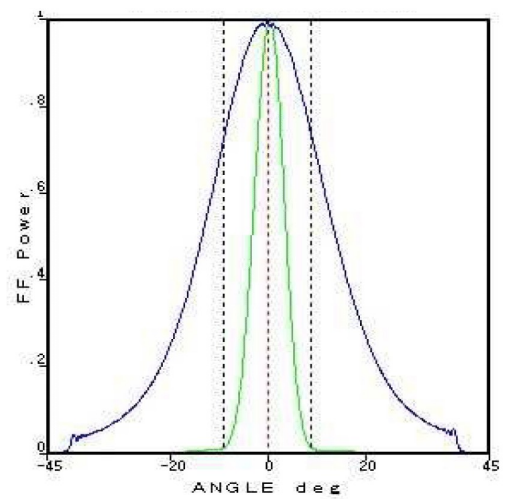
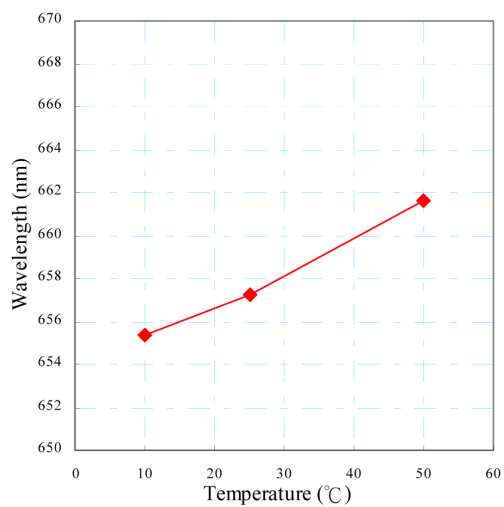
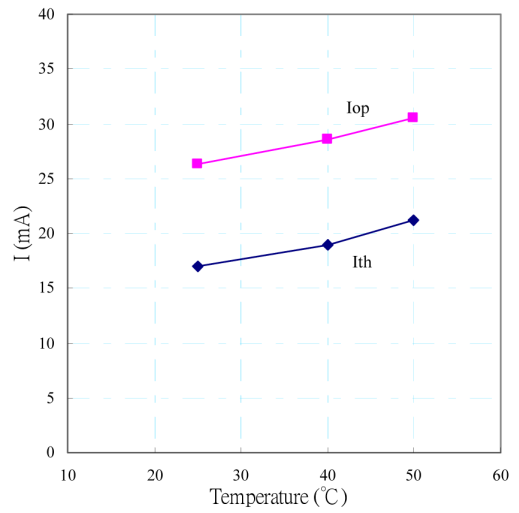
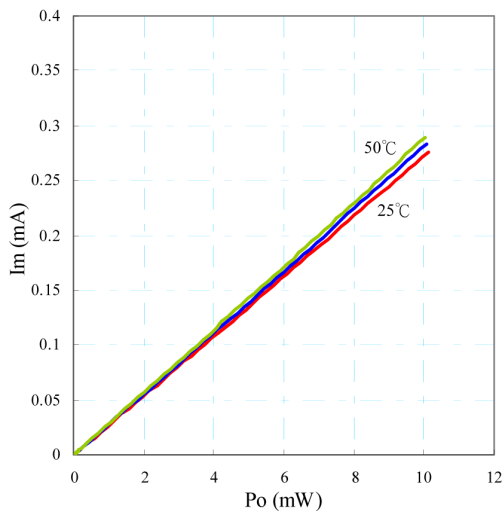
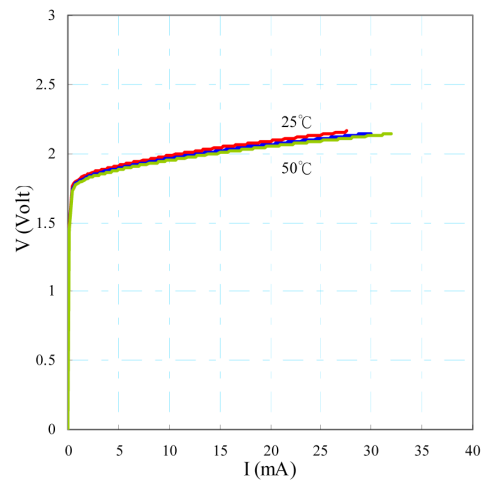
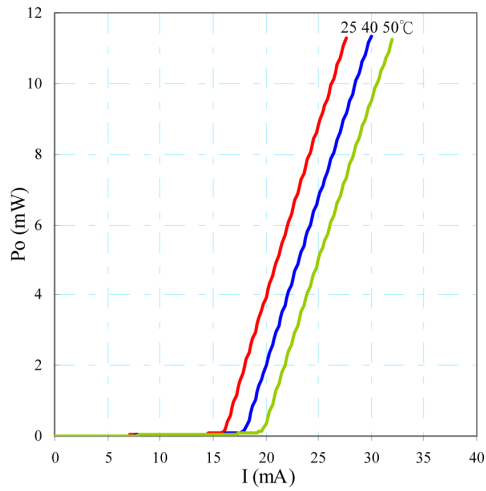
<http://www.egismos.com>

TEL: +1-888-3481454

FAX: +1-604-4339864

E-Mail: sales@egismos.com

Egismos DATASHEET



Egismos

<http://www.egismos.com>

TEL:+1-888-3481454

FAX:+1-604-4339864

E-Mail:sales@eGismos.com