

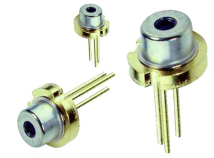
Egismos *DATASHEET*

660m Compact Laser Diode Modules Key features

Visible light $\lambda = 658\text{nm}$
 Output power = 20mW
 Package type = 5.6mm ϕ
 High reliability
Applications

Laser Pointer & General Purpose Red Laser Light Source
 Bar Code Reader & High Precision Measuring Instruments
 Laser Module & High Precision Engineering Instruments
Laser Diode Solutions

RS-D6-6-660-20 is a MOCVD grown 658nm band InGaAlP laser diode. It's an attractive light source, with a typical light output power of 20mW. It's suitable for use as high reliability laser diode in a wide range of industrial application.



RS-D6-6-660-20

Electrical and Optical Characteristics at $T_c = 25^\circ\text{C}$

Item	Symbols	Min.	Typ.	Max.	Unit	Condition
Threshold Current	I_{th}	-	42	50	mA	
Operating Current	I_{op}	-	70	75	mA	$P_o = 20\text{mW}$
Operating Voltage	V_{op}	2.0	2.3	2.5	V	$P_o = 20\text{mW}$
Peak Wavelength	λ_p	650	658	665	nm	$P_o = 20\text{mW}$
Differential efficiency	η	0.5	0.8	1.0	MW/mA	$P_o = 15 \sim 20\text{mW}$
Beam Divergence	$\Theta_{//}$	6	7	10	deg	$P_o = 20\text{mW}$
	Θ_{\perp}	13	16	22	deg	$P_o = 20\text{mW}$
Beam Angle	$\Delta\Theta_{//}$	-2	0	+2	deg	$P_o = 20\text{mW}$
	$\Delta\Theta_{\perp}$	-2	0	+2	deg	$P_o = 20\text{mW}$
Monitor Current	I_m	0.05	0.15	0.5	mA	$P_o = 20\text{mW}$, $V_{RD} = 0\text{V}$
Emission point accuracy	$\Delta X, \Delta Y, \Delta Z$	-80	0	+80	μm	$P_o = 10\text{mW}$,

Egismos

<http://www.egismos.com>

TEL: +1-888-3481454

FAX: +1-604-4339864

E-Mail: sales@egismos.com

Egismos *DATASHEET*

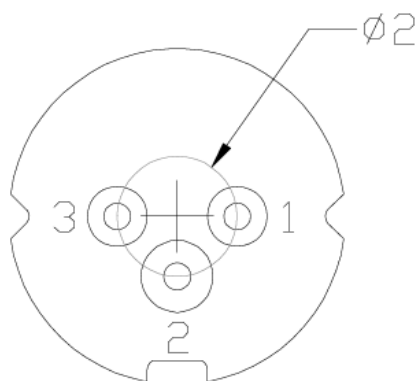
Absolute Maximum Rating at Tc=25°C

Items	Symbols	Values	Unit
Light output power	Po	20	mW
Reverse voltage(LD)	V _{RL}	2	V
Reverse volgate(PD)	V _{RD}	30	V
Forward current(PD)	I _{FD}	10	mA
Case Temperature	Tc	-10~+60	°C
Storage Temperature	Ts	-40~+85	°C

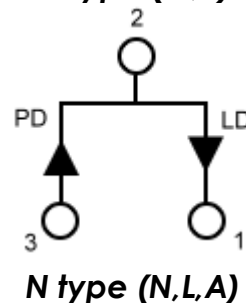
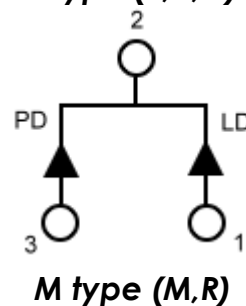
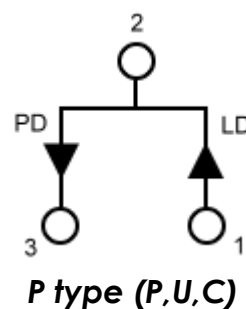


RS-D6-6-660-20

Electrical Connection



Package Type



Egismos

<http://www.egismos.com>

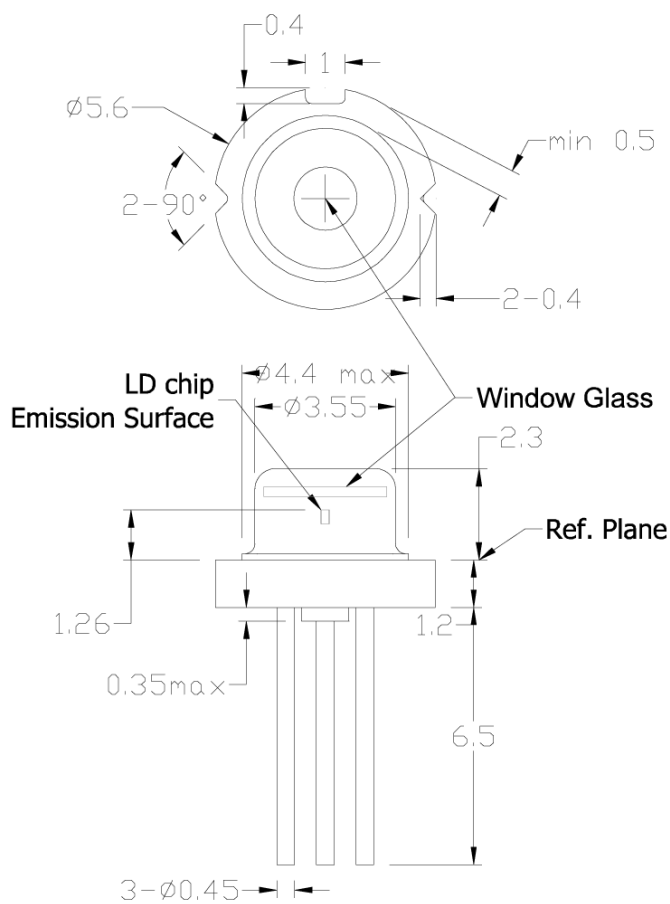
TEL:+1-888-3481454

FAX:+1-604-4339864

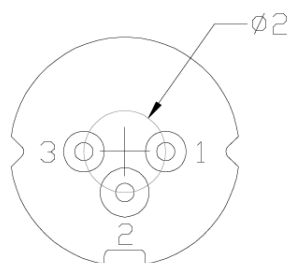
E-Mail:sales@eGismos.com

Egismos *DATASHEET*

Laser Diode Package Drawing



RS-D6-6-660-20



Egismos

<http://www.egismos.com>

TEL: +1-888-3481454

FAX: +1-604-4339864

E-Mail: sales@egismos.com