

Egismos DATASHEET

655m Compact Laser Diode Modules Key features

Visible light $\lambda = 655\text{nm}$
 Output power = 7mW
 Package type = 5.6mm ϕ
 High reliability
Applications

Laser Pointer & General Purpose Red Laser Light Source
 Bar Code Reader & High Precision Measuring Instruments
 Laser Module & High Precision Engineering Instruments

Laser Diode Solutions

RS-D6-8-655-7 is a MOCVD grown 655nm band InGaAlP laser diode. It's an attractive light source, with a typical light output power of 7mW. It's suitable for use as high reliability laser diode in a wide range of industrial application.



RS-D6-8-655-7

Electrical and Optical Characteristics at $T_c = 25^\circ\text{C}$

Item	Symbols	Min.	Typ.	Max.	Unit	Condition
Threshold Current	I_{th}	-	20	30	mA	
Operating Current	I_{op}	-	30	40	mA	$P_o = 7\text{mW}$
Operating Voltage	V_{op}	-	2.2	2.5	V	$P_o = 7\text{mW}$
Peak Wavelength	λ_p	645	655	660	nm	$P_o = 7\text{mW}$
Differential efficiency	η	0.65	0.85	1.10	MW/mA	$P_o = 3 \sim 5\text{mW}$
Beam Divergence	$\Theta_{//}$	6	9	12	deg	$P_o = 7\text{mW}$
	Θ_{\perp}	25	28	32	deg	$P_o = 7\text{mW}$
Beam Angle	$\Delta\Theta_{//}$	-3	0	+3	deg	$P_o = 7\text{mW}$
	$\Delta\Theta_{\perp}$	-3	0	+3	deg	$P_o = 7\text{mW}$
Monitor Current	I_m	0.1	0.2	0.3	mA	$P_o = 7\text{mW}$, $V_{RD} = 5\text{V}$
Emission point accuracy	$\Delta X, \Delta Y, \Delta Z$	-80	0	+80	μm	$P_o = 5\text{mW}$,

Egismos

<http://www.egismos.com>

TEL: +1-888-3481454

FAX: +1-604-4339864

E-Mail: sales@egismos.com

Egismos *DATASHEET*

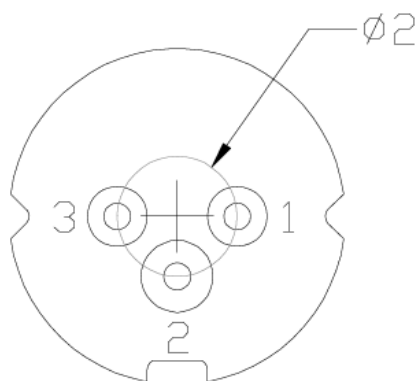
Absolute Maximum Rating at Tc=25°C

Items	Symbols	Values	Unit
Light output power	Po	7	mW
Reverse voltage(LD)	V _{RL}	2	V
Reverse volgate(PD)	V _{RD}	30	V
Forward current(PD)	I _{FD}	10	mA
Case Temperature	Tc	-10~+85	°C
Storage Temperature	Ts	-40~+85	°C

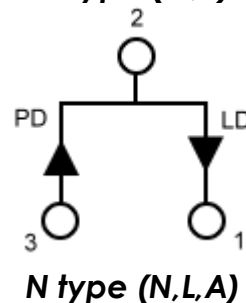
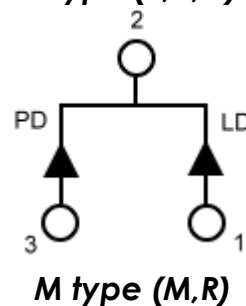
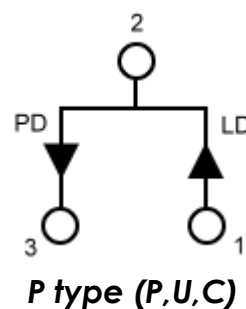


RS-D6-8-655-7

Electrical Connection



Package Type



Egismos

<http://www.egismos.com>

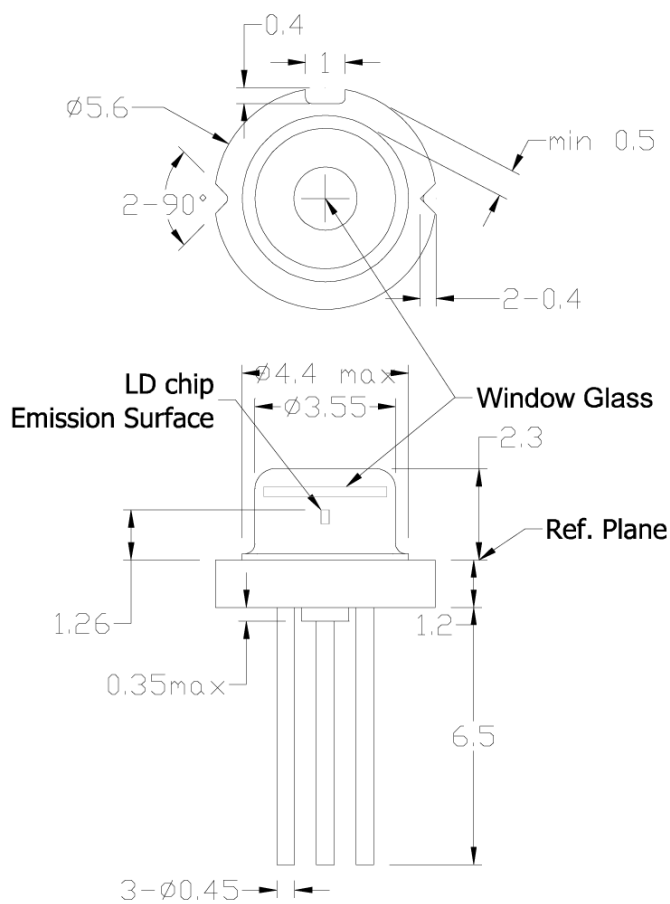
TEL:+1-888-3481454

FAX:+1-604-4339864

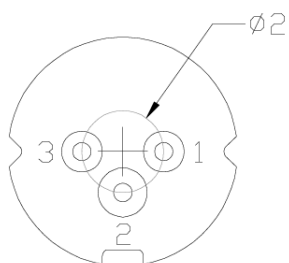
E-Mail:sales@eGismos.com

Egismos *DATASHEET*

Laser Diode Package Drawing



RS-D6-8-655-7



Egismos

<http://www.egismos.com>

TEL: +1-888-3481454

FAX: +1-604-4339864

E-Mail: sales@egismos.com

Egismos DATASHEET

