

# Egismos *DATASHEET*

## 635nm Compact Laser Diode Modules Key features

Visible light  $\lambda = 635\text{nm}$   
 Output powers = 5mW  
 Package type = 5.6mm $\phi$   
 High reliability

### Applications

Laser Pointer & General Purpose Red Laser Light Source  
 Laser Module & High Precision Engineering Instruments  
 Optical Sensor Application of Engineering Instruments



SS-D6-4-635-5

### Laser Diode Solutions

SS-D6-4-635-5 is a MOCVD grown 635nm band InGaAs laser diode. It's an attractive light source, with a typical light output power of CW 5mW. It's suitable for use as high reliability laser diode in a wide range of industrial application.

### Electrical and Optical Characteristics at $T_c = 25^\circ\text{C}$

Item	Symbols	Min.	Typ.	Max.	Unit	Condition
Optical Output Power	Po	-	5	-	mW	-
Threshold Current	I <sub>th</sub>	-	23	35	mA	-
Operating Current	I <sub>op</sub>	-	32	45	mA	Po=5mW
Operating Voltage	V <sub>op</sub>	-	2.2	2.7	V	Po=5mW
Peak Wavelength	$\lambda_p$	630	637	640	nm	Po=5mW
Beam Divergence	$\Theta_{//}$	6	8	12	deg	Po=5mW
	$\Theta_{\perp}$	28	34	40	deg	Po=5mW
Beam Angle	$\Delta\Theta_{//}$	-	-	$\pm 2.0$	deg	Po=5mW
	$\Delta\Theta_{\perp}$	-	-	$\pm 2.0$	deg	Po=5mW
Monitor Current	I <sub>m</sub>	0.05	0.15	0.4	mA	Po=5mW
Optical Distance	$\Delta X, \Delta Y, \Delta Z$	-	-	$\pm 60$	$\mu\text{m}$	Po=5mW

**Egismos**

<http://www.egismos.com>  
 TEL: +1-888-3481454  
 FAX: +1-604-4339864  
 E-Mail: sales@egismos.com

# Egismos *DATASHEET*

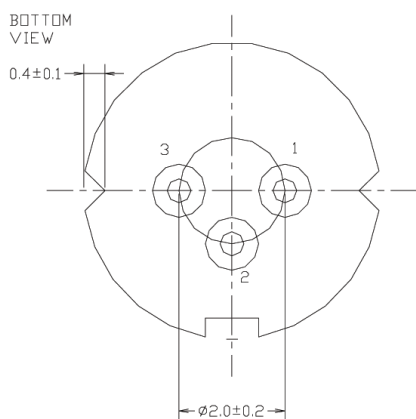
## Absolute Maximum Rating at Tc=25°C

Items	Symbols	Values	Unit
Optical Output Power	Po	6	mW
Laser Diode Reverse Voltage	V	2	V
Photo Diode Reverse Voltage	V	30	V
Operating Temperature	To	-10~+40	°C
Storage Temperature	Ts	-40~+85	°C

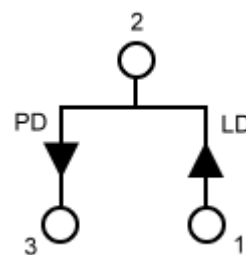


SS-D6-4-635-5

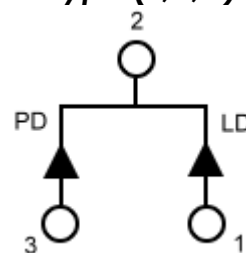
## Electrical Connection



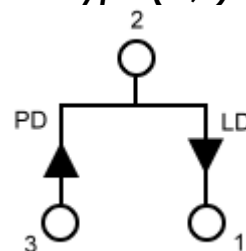
## Package Type



**P type (P,U,C)**



**M type (M,R)**



**N type (N,L,A)**

**Egismos**

<http://www.egismos.com>

TEL:+1-888-3481454

FAX:+1-604-4339864

E-Mail:sales@eGismos.com

