

Egismos *DATASHEET*

650nm Compact Laser Diode Modules Key features

Visible light $\lambda = 650\text{nm}$
 Output powers = 50mW
 Package type = 5.6mm ϕ
 High reliability

Applications

Laser Pointer & General Purpose Red Laser Light Source
 Laser Module & High Precision Engineering Instruments
 Optical Sensor Application of Engineering Instruments



SS-D6-7-658-50

Laser Diode Solutions

SS-D6-7-658-50 is a MOCVD grown 650nm band InGaAs laser diode. It's an attractive light source, with a typical light output power of CW 50mW. It's suitable for use as high reliability laser diode in a wide range of industrial application.

Electrical and Optical Characteristics at $T_c = 25^\circ\text{C}$

Item	Symbols	Min.	Typ.	Max.	Unit	Condition
Optical Output Power	Po	-	50	-	mW	-
Threshold Current	I _{th}	30	45	60	mA	-
Operating Current	I _{op}	-	90	120	mA	Po=50mW
Slope Efficiency	SE	-	1.0		mW/mA	Po=30~50mW
Operating Voltage	V _{op}	-	2.6	3.0	V	Po=50mW
Peak Wavelength	λ_p	653	660	667	nm	Po=50mW
Beam Divergence	$\Theta_{//}$	6	9	12	deg	Po=50mW
	Θ_{\perp}	15	20	25	deg	Po=50mW
Beam Angle	$\Delta\Theta_{//}$	-	-	± 3.0	deg	Po=50mW
	$\Delta\Theta_{\perp}$	-	-	± 3.0	deg	Po=50mW
Monitor Current	I _m	0.01	0.3	1.0	mA	Po=50mW
Optical Distance	$\Delta X, \Delta Y, \Delta Z$	-	-	± 60	μm	Po=50mW

Egismos

<http://www.egismos.com>

TEL: +1-888-3481454

FAX: +1-604-4339864

E-Mail: sales@egismos.com

Egismos *DATASHEET*

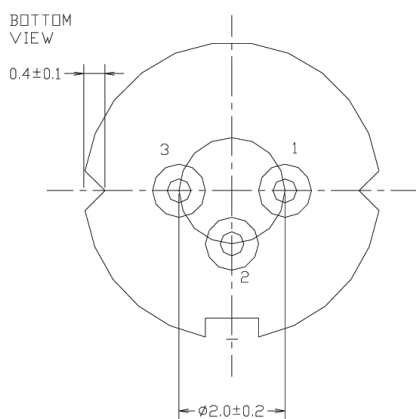
Absolute Maximum Rating at Tc=25°C

Items	Symbols	Values	Unit
Optical Output Power	Po	60	mW
Laser Diode Reverse Voltage	V	2	V
Photo Diode Reverse Voltage	V	30	V
Operating Temperature	To	-10~+75	°C
Storage Temperature	Ts	-40~+85	°C

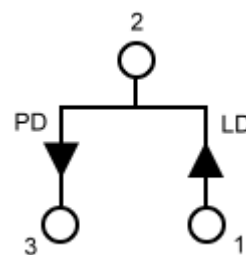


SS-D6-7-658-50

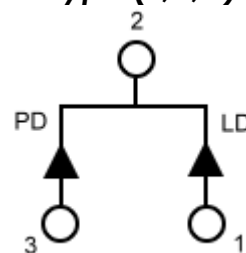
Electrical Connection



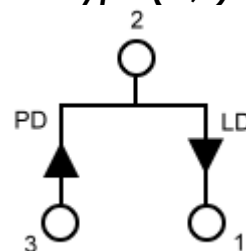
Package Type



P type (P,U,C)



M type (M,R)



N type (N,L,A)

Egismos

<http://www.egismos.com>

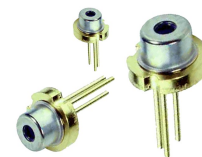
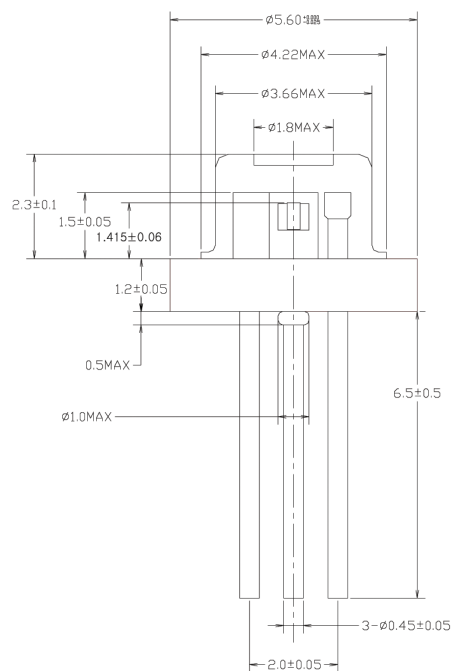
TEL:+1-888-3481454

FAX:+1-604-4339864

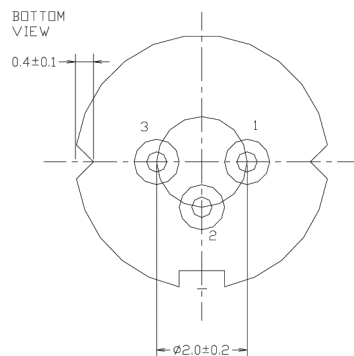
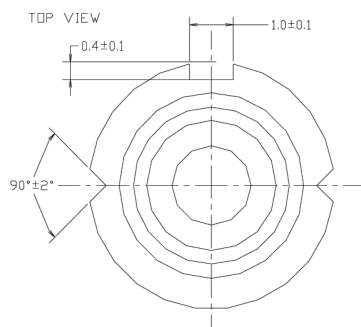
E-Mail:sales@eGismos.com

Egismos *DATASHEET*

Laser Diode Package Drawing



SS-D6-7-658-50



Egismos

<http://www.egismos.com>

TEL: +1-888-3481454

FAX: +1-604-4339864

E-Mail: sales@egismos.com