

# EGISMOS *DATASHEET*

## 640nm Compact Laser Diode Modules Key features

Visible light  $\lambda = 640\text{nm}$   
 Output powers = 60mW  
 Package type = 5.6mm $\Phi$   
 High reliability



SS-D6-4-640-60

## Applications

Laser Pointer & General Purpose Red Laser Light Source  
 Bar Code Reader & High Precision Measuring Instruments  
 Laser Module & High Precision Engineering Instruments

## Laser Diode Solutions

SS-D6-4-640-60 is a MOCVD grown 640nm band InGaAlP laser diode. It's an attractive light source, with a typical light output power of 60mW. It's suitable for use as high reliability laser diode in a wide range of industrial application.

## Electrical and Optical Characteristics at Tc=25°C

Item	Symbols	Min.	Typ.	Max.	Unit	Condition
Threshold Current	I <sub>th</sub>	-	45	-	mA	Po=60mW
Operating Current	I <sub>op</sub>	-	105	-	mA	Po=60mW
Operating Voltage	V <sub>op</sub>	-	2.4	2.7	V	Po=60mW
Lasing Wavelength	$\lambda_p$	633	640	645	nm	Po=60mW
Wallplug Efficiency 1		18	24	-	%	25°C
Wallplug Efficiency 2		9	17	-	%	40°C
Beam Divergence	$\Theta_{//}$	7	11	15	deg	Po=60mW
	$\Theta_{\perp}$	22	28	33	deg	Po=60mW
Beam Angle	$\Delta\Theta_{//}$	-	-	±2.0	deg	Po=60mW
	$\Delta\Theta_{\perp}$	-	-	±3.0	deg	Po=60mW
Monitor Current	I <sub>m</sub>	0.1	0.3	0.9	mA	Po=60mW
Optical Distance	$\Delta X, \Delta Y, \Delta Z$	-	-	±60	$\mu\text{m}$	-

**EGISMOS**

<http://www.egismos.com>

TEL:+1-888-3481454

FAX:+1-604-4339864

E-Mail:sales@eGismos.com

# EGISMOS *DATASHEET*

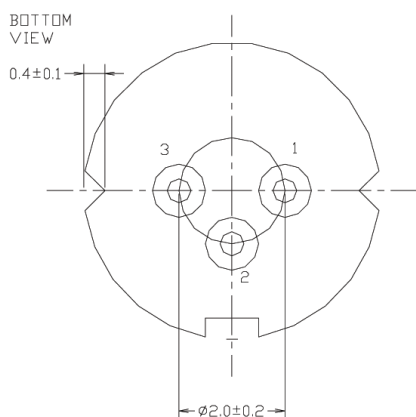
## Absolute Maximum Rating at Tc=25°C

Items	Symbols	Values	Unit
Optical Output Power	P	60	mW
Laser Diode Reverse Voltage	V	2	V
Photo Diode Reverse Voltage	V	30	V
Operating Temperature	To	-10~+40	°C
Storage Temperature	Ts	-40~+85	°C

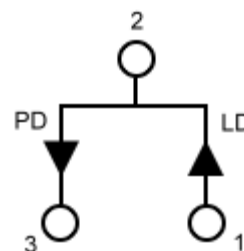


SS-D6-4-640-60

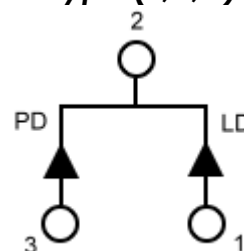
## Electrical Connection



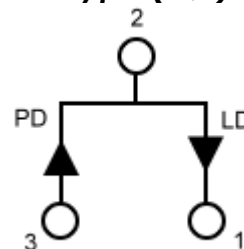
## Package Type



**P type (P,U,C)**



**M type (M,R)**



**N type (N,L,A)**

**EGISMOS**

<http://www.egismos.com>

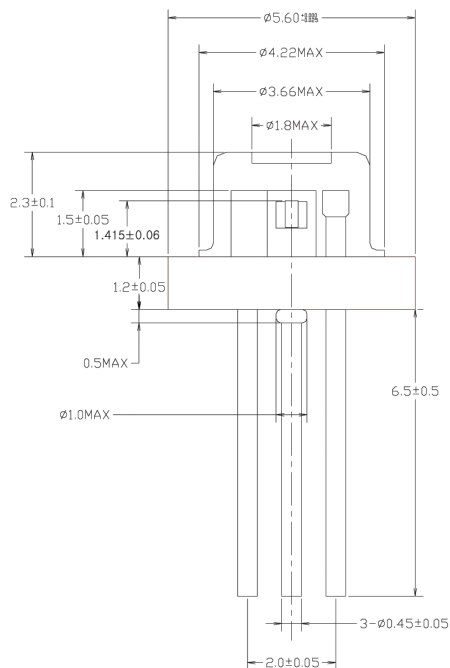
TEL:+1-888-3481454

FAX:+1-604-4339864

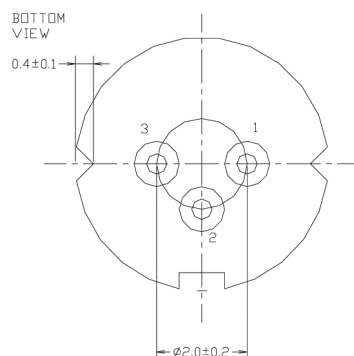
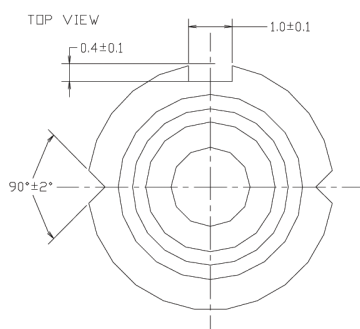
E-Mail:sales@eGismos.com

# Egismos *DATASHEET*

## Laser Diode Package Drawing



SS-D6-4-640-60



**Egismos**

<http://www.egismos.com>

TEL: +1-888-3481454

FAX: +1-604-4339864

E-Mail: [sales@egismos.com](mailto:sales@egismos.com)