

Egismos *DATASHEET*

808nm Compact Laser Diode Modules Key features

Visible light $\lambda = 808\text{nm}$
 Output powers = 200mW
 Package type = 5.6mm ϕ
 High reliability

Applications

General Purpose Infrared Red Laser Light Source
 Medical Application & Infrared Red Laser Module for Industry Application
 Solid State Laser Pumping of Green Laser & High Power Engineering Instruments

Laser Diode Solutions

SS-D6-4-808-200 is a MOCVD grown 808nm band laser diode. It's an attractive light source, with a typical light output power of CW 200mW. It's suitable for use as high reliability laser diode in a wide range of industrial application.



SS-D6-4-808-200

Electrical and Optical Characteristics at Tc=25°C

Item	Symbols	Min.	Typ.	Max.	Unit	Condition
Optical Output Power	Po	-	200	-	mW	-
Threshold Current	Ith	-	75	95	mA	-
Operating Current	Iop	-	260	280	mA	Po=200mW
Operating Voltage	Vop	-	1.9	2.5	V	Po=200mW
Peak Wavelength	λ_p	803	808	813	nm	Po=200mW
Beam Divergence	$\Theta_{//}$	-	7	12	deg	Po=200mW
	Θ_{\perp}	-	35	45	deg	Po=200mW
Beam Angle	$\Delta\Theta_{//}$	-	-	± 3.0	deg	Po=200mW
	$\Delta\Theta_{\perp}$	-	-	± 3.0	deg	Po=200mW
Monitor Current	I _m	-	0.6	1.0	mA	Po=200mW
Optical Distance	$\Delta X, \Delta Y, \Delta Z$	-	-	± 60	μm	
Polarization	TM mode					

Egismos

<http://www.egismos.com>
 TEL: +1-888-3481454
 FAX: +1-604-4339864
 E-Mail: sales@egismos.com

Egismos *DATASHEET*

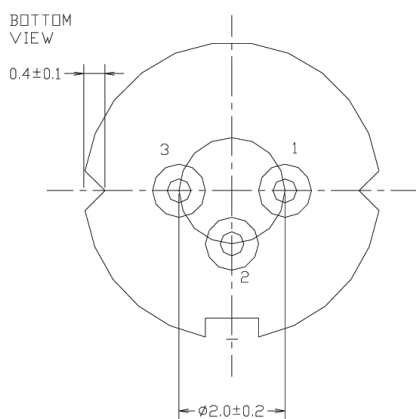
Absolute Maximum Rating at Tc=25°C

Items	Symbols	Values	Unit
Optical Output Power	Po	200	mW
Laser Diode Reverse Voltage	V	2	V
Photo Diode Reverse Voltage	V	30	V
Operating Temperature	To	-10~+40	°C
Storage Temperature	Ts	-40~+85	°C

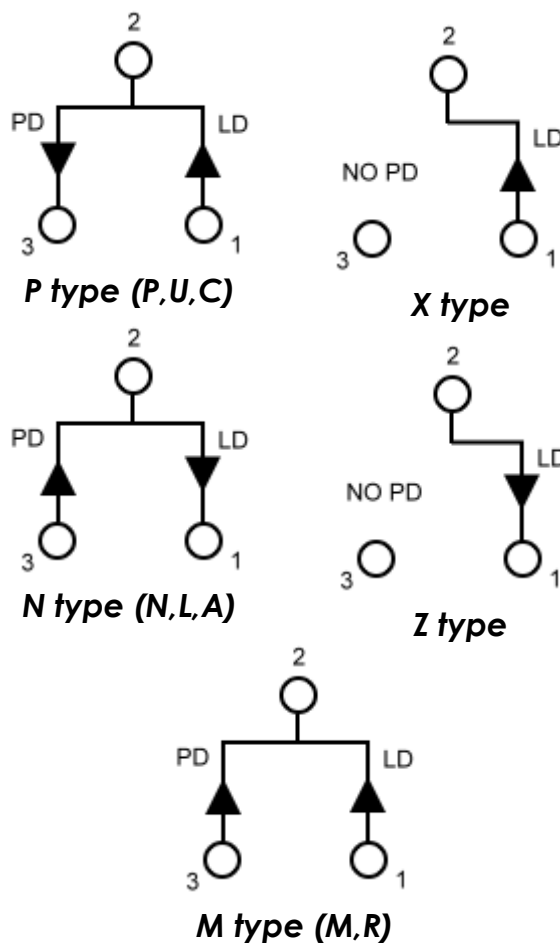


SS-D6-4-808-200

Electrical Connection



Package Type



Egismos

<http://www.egismos.com>

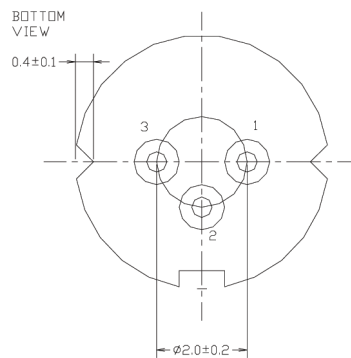
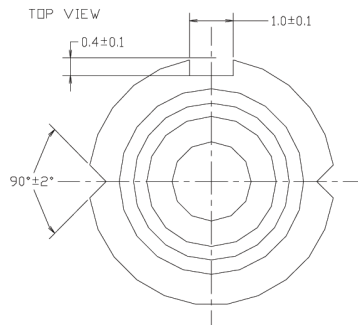
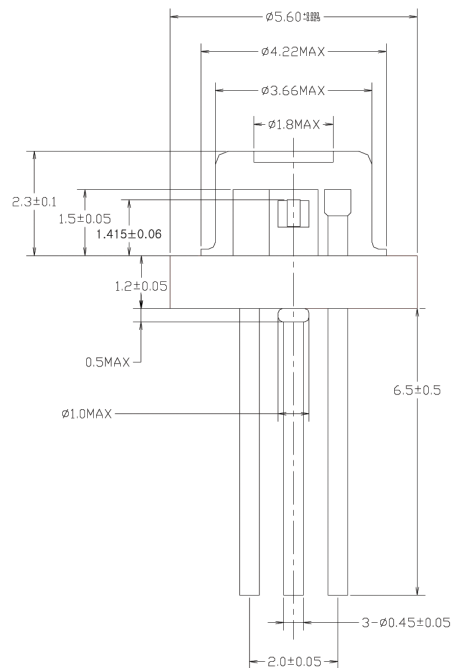
TEL:+1-888-3481454

FAX:+1-604-4339864

E-Mail:sales@egismos.com

Egismos *DATASHEET*

Laser Diode Package Drawing



Egismos

<http://www.egismos.com>

TEL: +1-888-3481454

FAX: +1-604-4339864

E-Mail: sales@eGismos.com