

# Egismos *DATASHEET*

## 660nm Compact Laser Diode Modules Key features

Visible light  $\lambda = 660\text{nm}$

Output powers = 100mW CW, 250mW Pulse

Package type = 5.6mm $\phi$

High reliability

### Applications

Laser Pointer & General Purpose Red Laser Light Source

Bar Code Reader & High Precision Measuring Instruments

Laser Module & High Precision Engineering Instruments

### Laser Diode Solutions

SS-D6-6-660-100 is a MOCVD grown 660nm band InGaAlP laser diode. It's an attractive light source, with a typical light output power of CW 100mW and pulse 250mW. It's suitable for use as high reliability laser diode in a wide range of industrial application.

### Electrical and Optical Characteristics at $T_c = 25^\circ\text{C}$



SS-D6-6-660-100

Item	Symbols	Min.	Typ.	Max.	Unit	Condition
Threshold Current	I <sub>th</sub>	-	75	100	mA	CW
Operating Current	I <sub>op</sub>	-	180	200	mA	CW, P <sub>o</sub> =100mW
Slope Efficiency	SE	0.7	1.0	1.3	mW/mA	CW, P <sub>o</sub> =100mW
Operating Voltage	V <sub>op</sub>	2.0	2.5	3	V	CW, P <sub>o</sub> =100mW
Peak Wavelength	$\lambda_p$	654	660	666	nm	CW, P <sub>o</sub> =100mW
Beam Divergence	$\Theta_{//}$	7	9	12		CW, P <sub>o</sub> =100mW
	$\Theta_{\perp}$	15	18	21		CW, P <sub>o</sub> =100mW
Beam Angle	$\Delta\Theta_{//}$	-	-	$\pm 3.0$		CW, P <sub>o</sub> =100mW
	$\Delta\Theta_{\perp}$	-	-	$\pm 3.0$		CW, P <sub>o</sub> =100mW
Monitor Current	I <sub>m</sub>	0.05	0.5	1.00	mA	CW, P <sub>o</sub> =100mW
Polarization Angle	PA					
Polarization Ratio	PR					

**Egismos**

<http://www.egismos.com>

TEL: +1-888-3481454

FAX: +1-604-4339864

E-Mail: [sales@egismos.com](mailto:sales@egismos.com)

# Egismos *DATASHEET*

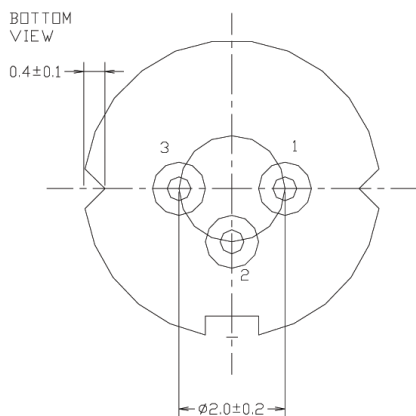
## Absolute Maximum Rating at Tc=25°C

Items	Symbols	Values	Unit
Optical Output Power	Po	100	mW
Optical Output Power (Pulse, Tp≤30ns, Duty 35%)	Pp	250	mW
Laser Diode Reverse Voltage	V	2	V
Operating Temperature	To	-10~+60	°C
Storage Temperature	Ts	-40~+80	°C

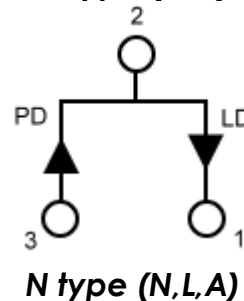
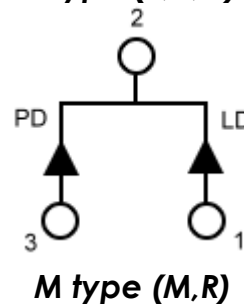
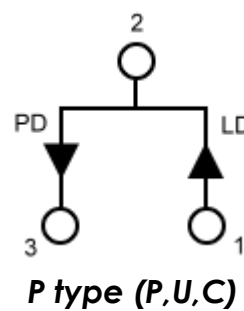


SS-D6-6-660-100

## Electrical Connection



## Package Type

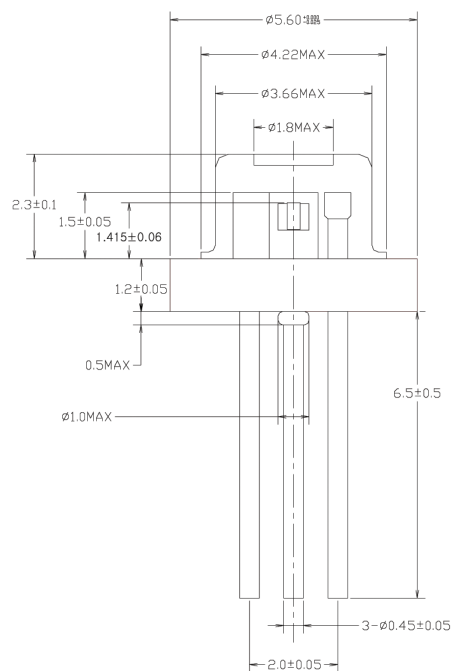


**Egismos**

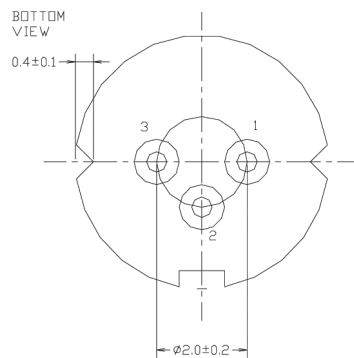
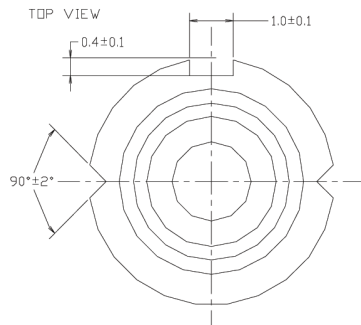
<http://www.egismos.com>  
 TEL:+1-888-3481454  
 FAX:+1-604-4339864  
 E-Mail:sales@eGismos.com

# Egismos *DATASHEET*

## Laser Diode Package Drawing



SS-D6-6-660-100



**Egismos**

<http://www.egismos.com>  
TEL:+1-888-3481454  
FAX:+1-604-4339864  
E-Mail:sales@eGismos.com