

Egismos DATASHEET

660nm Compact Laser Diode Modules Key features

Visible light $\lambda = 660\text{nm}$

Output powers =120mW CW,350mW Pulse

Package type=5.6mm ϕ

High reliability

Applications

Laser Pointer & General Purpose Red Laser Light Source

Bar Code Reader & High Precision Measuring Instruments

Laser Module & High Precision Engineering Instruments

Laser Diode Solutions

SS-D6-6-660-120 is a MOCVD grown 660nm band InGaAlP laser diode. It's an attractive light source, with a typical light output power of CW 120mW and pulse 350mW. It's suitable for use as high reliability laser diode in a wide range of industrial application.

Electrical and Optical Characteristics at $T_c=25^\circ\text{C}$

Item	Symbols	Min.	Typ.	Max.	Unit	Condition
Threshold Current	I _{th}	-	75	100	mA	CW
Operating Current	I _{op}	-	200	220	mA	CW, P _o =120mW
Slope Efficiency	SE	0.7	1.0	1.3	mW/mA	CW, P _o =120mW
Operating Voltage	V _{op}	2.0	2.5	3	V	CW, P _o =120mW
Peak Wavelength	λ_p	654	660	666	nm	CW, P _o =120mW
Beam Divergence	$\Theta_{//}$	7	9	12		CW, P _o =120mW
	Θ_{\perp}	15	18	21		CW, P _o =120mW
Beam Angle	$\Delta\Theta_{//}$	-	-	± 3.0		CW, P _o =120mW
	$\Delta\Theta_{\perp}$	-	-	± 3.0		CW, P _o =120mW
Monitor Current	I _m	0.05	0.5	1.00	mA	CW, P _o =120mW
Polarization Angle	PA					
Polarization Ratio	PR					



SS-D6-6-660-120

Egismos

<http://www.egismos.com>

TEL:+1-888-3481454

FAX:+1-604-4339864

E-Mail:sales@eGismos.com

Egismos *DATASHEET*

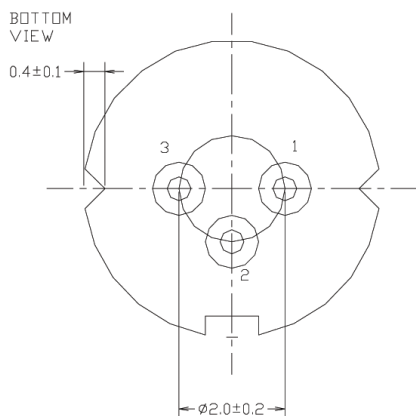
Absolute Maximum Rating at Tc=25°C

Items	Symbols	Values	Unit
Optical Output Power	Po	120	mW
Optical Output Power (Pulse, Tp≤30ns, Duty 35%)	Pp	350	mW
Laser Diode Reverse Voltage	V	2	V
Operating Temperature	To	-10~+60	°C
Storage Temperature	Ts	-40~+80	°C

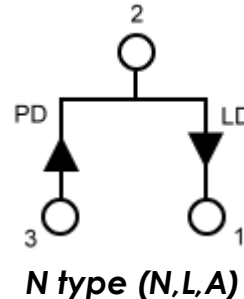
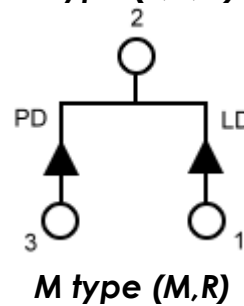
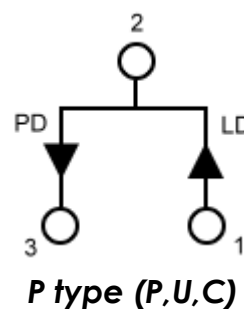


SS-D6-6-660-120

Electrical Connection



Package Type

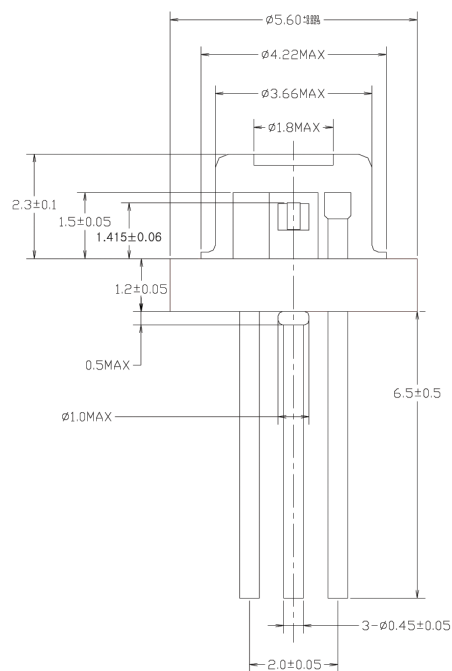


Egismos

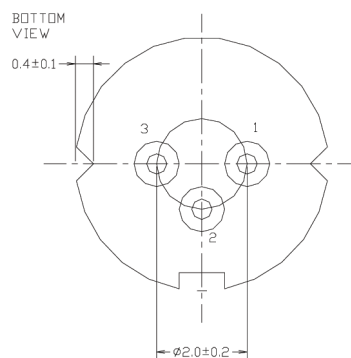
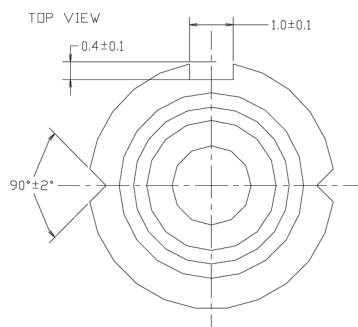
<http://www.egismos.com>
 TEL:+1-888-3481454
 FAX:+1-604-4339864
 E-Mail:sales@eGismos.com

Egismos *DATASHEET*

Laser Diode Package Drawing



SS-D6-6-660-120



Egismos

<http://www.egismos.com>

TEL: +1-888-3481454

FAX: +1-604-4339864

E-Mail: sales@egismos.com