

# Egismos *DATASHEET*

## 660nm Compact Laser Diode Modules Key features

Visible light  $\lambda = 660\text{nm}$   
 Output powers  $\approx 80\text{mW}$   
 Package type  $= 5.6\text{mm}\phi$   
 High reliability

### Applications

Laser Pointer & General Purpose Red Laser Light Source  
 Bar Code Reader & High Precision Measuring Instruments  
 Laser Module & High Precision Engineering Instruments

### Laser Diode Solutions

SS-D6-6-660-80 is a MOCVD grown 660nm band InGaAlP laser diode. It's an attractive light source, with a typical light output power of 80mW. It's suitable for use as high reliability laser diode in a wide range of industrial application.

### Electrical and Optical Characteristics at $T_c = 25^\circ\text{C}$

Item	Symbols	Min.	Typ.	Max.	Unit	Condition
Threshold Current	I <sub>th</sub>	-	75	100	mA	CW
Operating Current	I <sub>op</sub>	-	160	180	mA	CW, P <sub>o</sub> =80mW
Slope Efficiency	SE	0.7	1.0	1.3	mW/mA	CW, P <sub>o</sub> =80mW
Operating Voltage	V <sub>op</sub>	2.0	2.5	3	V	CW, P <sub>o</sub> =80mW
Peak Wavelength	$\lambda_p$	654	660	666	nm	CW, P <sub>o</sub> =80mW
Beam Divergence	$\Theta_{//}$	7	9	12		CW, P <sub>o</sub> =80mW
	$\Theta_{\perp}$	15	18	21		CW, P <sub>o</sub> =80mW
Beam Angle	$\Delta\Theta_{//}$	-	-	$\pm 3.0$		CW, P <sub>o</sub> =80mW
	$\Delta\Theta_{\perp}$	-	-	$\pm 3.0$		CW, P <sub>o</sub> =80mW
Monitor Current	I <sub>m</sub>	0.05	0.5	1.00	mA	CW, P <sub>o</sub> =80mW
Optical Distance	$\Delta X, \Delta Y, \Delta Z$	-	-	$\pm 60$	$\mu\text{m}$	-
Polarization Angle	PA					
Polarization Ratio	PR					



SS-D6-6-660-80

**Egismos**

<http://www.egismos.com>  
 TEL: +1-888-3481454  
 FAX: +1-604-4339864  
 E-Mail: sales@egismos.com

# Egismos *DATASHEET*

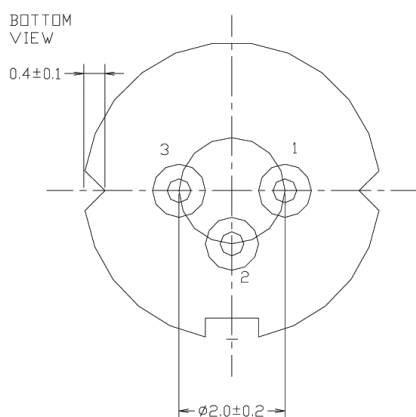
## Absolute Maximum Rating at Tc=25°C

Items	Symbols	Values	Unit
Optical Output Power	Po	80	mW
Laser Diode Reverse Voltage	V	2	V
Photo Diode Reverse Voltage	V	30	V
Operating Temperature	To	-10~+60	°C
Storage Temperature	Ts	-40~+80	°C

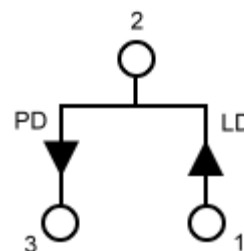


SS-D6-6-660-80

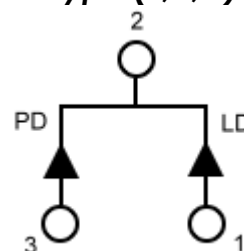
## Electrical Connection



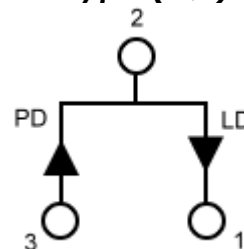
## Package Type



**P type (P,U,C)**



**M type (M,R)**



**N type (N,L,A)**

**Egismos**

<http://www.egismos.com>

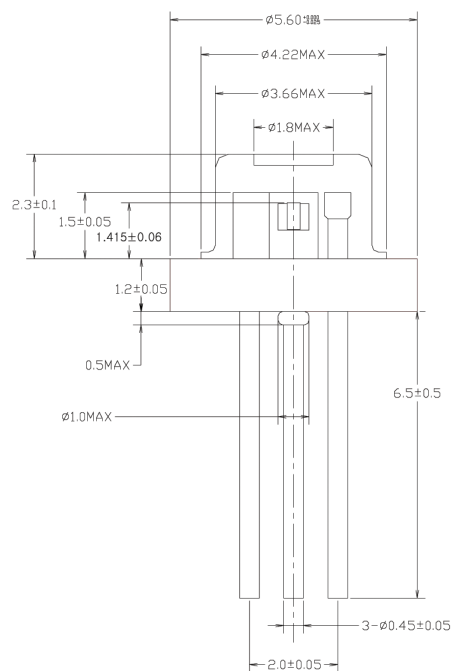
TEL:+1-888-3481454

FAX:+1-604-4339864

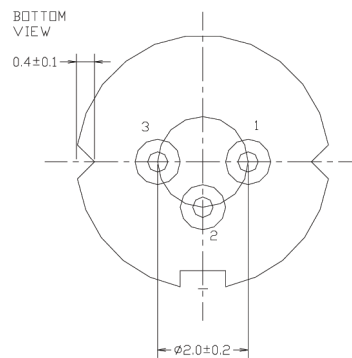
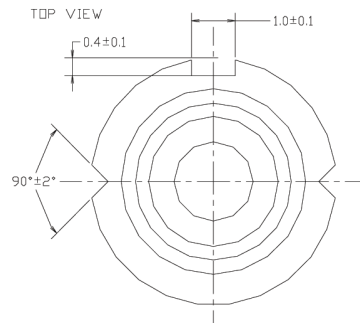
E-Mail:sales@eGismos.com

# Egismos *DATASHEET*

## Laser Diode Package Drawing



SS-D6-6-660-80



**Egismos**

<http://www.egismos.com>  
TEL: +1-888-3481454  
FAX: +1-604-4339864  
E-Mail: sales@eGismos.com