

# Egismos DATASHEET

## 780nm Compact Laser Diode Modules Key features

Visible light  $\lambda = 780\text{nm}$   
 Output powers = 3mW  
 Package type = 5.6mm $\phi$   
 High reliability

### Applications

General Purpose Infrared Red Laser Light Source  
 Printer Scanner Unit & Infrared Red Laser Module for Industry Application  
 Optical Storage & High Precision Engineering Instruments

### Laser Diode Solutions

SS-D6-6-780-3 is a MOCVD grown 780nm band laser diode. It's an attractive light source, with a typical light output power of CW 3mW. It's suitable for use as high reliability laser diode in a wide range of industrial application.



SS-D6-6-780-3

## Electrical and Optical Characteristics at Tc=25°C

Item	Symbols	Min.	Typ.	Max.	Unit	Condition
Optical Output Power	Po	-	3	-	mW	-
Threshold Current	Ith	-	25	45	mA	-
Operating Current	Iop	-	45	65	mA	Po=3mW
Slope Efficiency	SE	0.1	0.2	0.3	mW/mA	Po=1~3mW
Operating Voltage	Vop	-	1.9	2.3	V	Po=3mW
Peak Wavelength	$\lambda_p$	770	780	795	nm	Po=3mW
Beam Divergence	$\Theta_{//}$	8	11	15	deg	Po=3mW
	$\Theta_{\perp}$	25	30	38	deg	Po=3mW
Beam Angle	$\Delta\Theta_{//}$	-	-	$\pm 2.0$	deg	Po=3mW
	$\Delta\Theta_{\perp}$	-	-	$\pm 3.0$	deg	Po=3mW
Monitor Current	Im	0.1	0.55	0.9	mA	Po=3mW
Optical Distance	$\Delta X, \Delta Y, \Delta Z$	-	-	$\pm 60$	$\mu\text{m}$	Po=3mW
Astigmatism	$\Delta I$	-	5	10	$\mu\text{m}$	Po=3mW
Droop	$\Delta P$	-	5	10	%	Po=3mW

**Egismos**

<http://www.egismos.com>

TEL: +1-888-3481454

FAX: +1-604-4339864

E-Mail: [sales@egismos.com](mailto:sales@egismos.com)

# Egismos *DATASHEET*

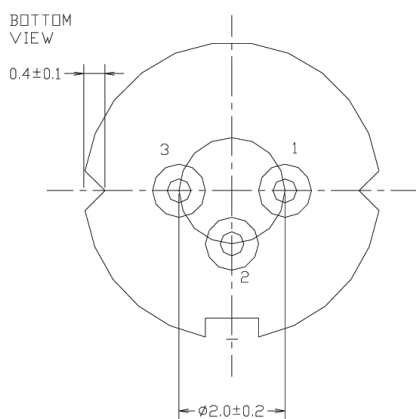
## Absolute Maximum Rating at Tc=25°C

Items	Symbols	Values	Unit
Optical Output Power	Po	5	mW
Laser Diode Reverse Voltage	V	2	V
Photo Diode Reverse Voltage	V	30	V
Operating Temperature	To	-10~+60	°C
Storage Temperature	Ts	-40~+85	°C

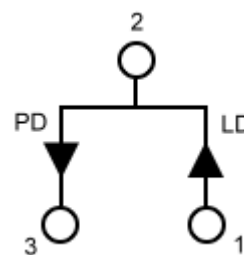


SS-D6-6-780-3

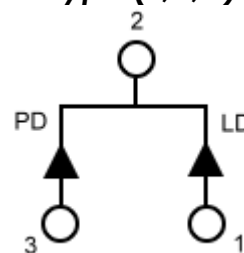
## Electrical Connection



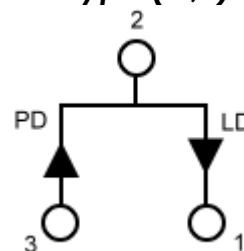
## Package Type



**P type (P,U,C)**



**M type (M,R)**



**N type (N,L,A)**

**Egismos**

<http://www.egismos.com>

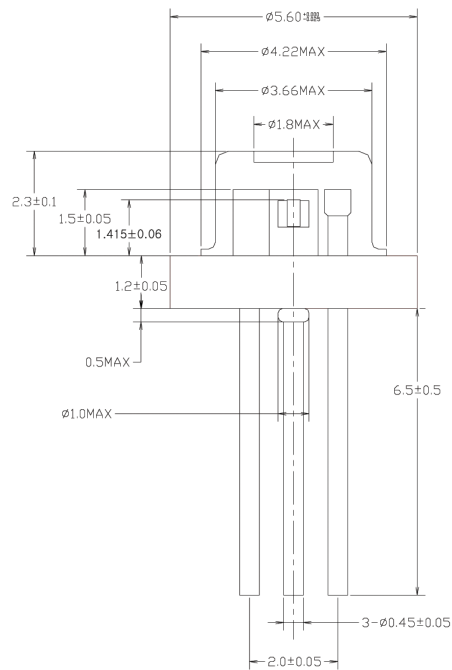
TEL:+1-888-3481454

FAX:+1-604-4339864

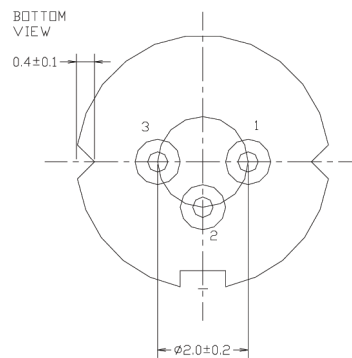
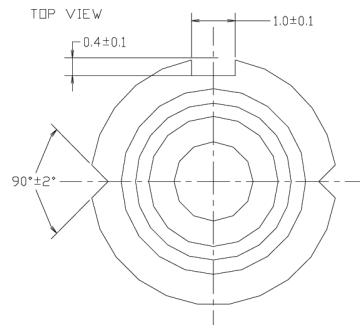
E-Mail:sales@eGismos.com

# EGISMOS *DATASHEET*

## Laser Diode Package Drawing



SS-D6-6-780-3



**EGISMOS**

<http://www.egismos.com>  
TEL: +1-888-3481454  
FAX: +1-604-4339864  
E-Mail: sales@eGismos.com