

Egismos *DATASHEET*

850nm Compact Laser Diode Modules Key features

Visible light $\lambda = 850\text{nm}$
 Output powers = 5mW
 Package type = 5.6mm ϕ
 High reliability

Applications

General Purpose Infrared Red Laser Light Source
 Optical Communication & Infrared Red Laser Module for Industry Application
 Military Application & Optical Sensor Application of Engineering Instruments

Laser Diode Solutions

SS-D6-6-850-5 is a MOCVD grown 850nm band laser diode. It's an attractive light source, with a typical light output power of CW 5mW. It's suitable for use as high reliability laser diode in a wide range of industrial application.



SS-D6-6-850-5

Electrical and Optical Characteristics at Tc=25°C

Item	Symbols	Min.	Typ.	Max.	Unit	Condition
Optical Output Power	Po	-	5	-	mW	-
Threshold Current	Ith	5	10	20	mA	-
Operating Current	Iop	15	20	30	mA	Po=5mW
Slope Efficiency	SE	0.4	0.7	0.9	mW/mA	2~5mW
Operating Voltage	Vop	-	1.9	2.5	V	Po=5mW
Peak Wavelength	λ_p	845	850	855	nm	Po=5mW
Beam Divergence	$\Theta_{//}$	7	9	12	deg	Po=5mW
	Θ_{\perp}	25	32	40	deg	Po=5mW
Beam Angle	$\Delta\Theta_{//}$	-	-	± 2.0	deg	Po=5mW
	$\Delta\Theta_{\perp}$	-	-	± 3.0	deg	Po=5mW
Monitor Current	Im	0.2	0.4	0.6	mA	Po=5mW
Optical Distance	$\Delta X, \Delta Y, \Delta Z$	-	-	± 60	μm	
Astigmatism	As	-	-	15	μm	Po=5mW

Egismos

<http://www.egismos.com>
 TEL: +1-888-3481454
 FAX: +1-604-4339864
 E-Mail: sales@egismos.com

Egismos *DATASHEET*

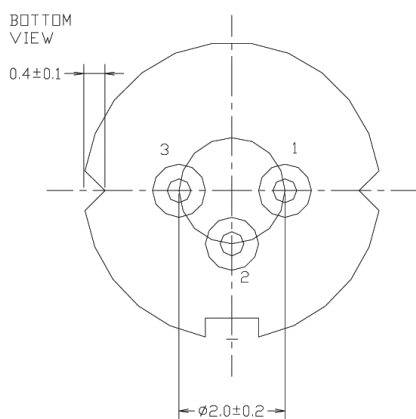
Absolute Maximum Rating at Tc=25°C

Items	Symbols	Values	Unit
Optical Output Power	Po	7	mW
Laser Diode Reverse Voltage	V	2	V
Photo Diode Reverse Voltage	V	30	V
Operating Temperature	To	-10~+60	°C
Storage Temperature	Ts	-40~+85	°C

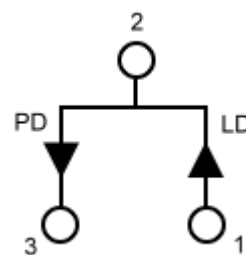


SS-D6-6-850-5

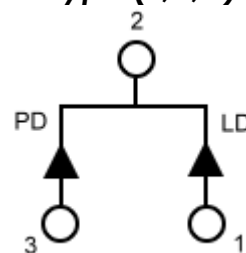
Electrical Connection



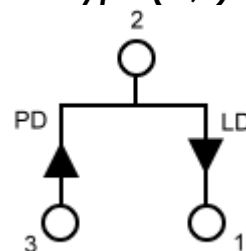
Package Type



P type (P,U,C)



M type (M,R)



N type (N,L,A)

Egismos

<http://www.egismos.com>

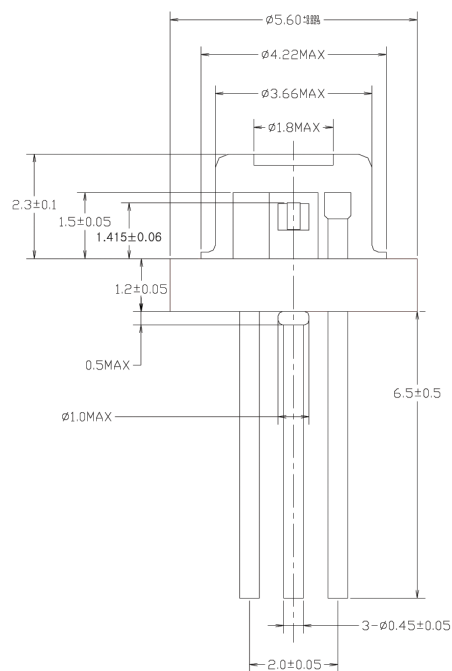
TEL:+1-888-3481454

FAX:+1-604-4339864

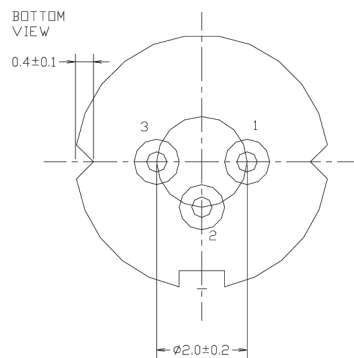
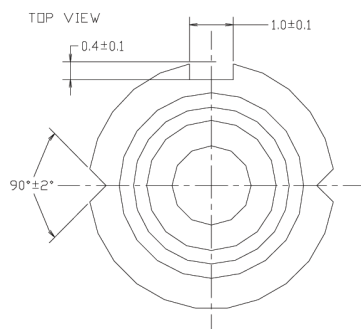
E-Mail:sales@eGismos.com

Egismos *DATASHEET*

Laser Diode Package Drawing



SS-D6-6-850-5



Egismos

<http://www.egismos.com>

TEL: +1-888-3481454

FAX: +1-604-4339864

E-Mail: sales@egismos.com