

Egismos *DATASHEET*

658nm Compact Laser Diode Modules Key features

Visible light $\lambda = 658\text{nm}$
 Output powers $\approx 30\text{mW}$
 Package type $= 5.6\text{mm}\phi$
 High reliability

Applications

Laser Pointer & General Purpose Red Laser Light Source
 Bar Code Reader & High Precision Measuring Instruments
 Laser Module & High Precision Engineering Instruments

Laser Diode Solutions

SS-D6-7-658-30 is a MOCVD grown 658nm band InGaAlP laser diode. It's an attractive light source, with a typical light output power of 30mW. It's suitable for use as high reliability laser diode in a wide range of industrial application.

Electrical and Optical Characteristics at $T_c = 25^\circ\text{C}$



SS-D6-7-658-30

Item	Symbols	Min.	Typ.	Max.	Unit	Condition
Optical Output Power	Po	-	30	-	MW	-
Threshold Current	I _{th}	-	45	70	mA	Po=30mW
Operating Current	I _{op}	-	80	120	mA	Po=30mW
Slope Efficiency	SE	0.5	0.7	1.2	mW/mA	20~30mW
Operating Voltage	V _{op}	-	2.7	3	V	Po=30mW
Lasing Wavelength	λ_p		658	666	nm	Po=30mW
Beam Divergence	$\Theta_{//}$	7	9.5	12	deg	Po=30mW
	Θ_{\perp}	15	23	28	deg	Po=30mW
Beam Angle	$\Delta\Theta_{//}$	-	-	± 3.0	deg	Po=30mW
	$\Delta\Theta_{\perp}$	-	-	± 3.0	deg	Po=30mW
Monitor Current	I _m	0.01	0.35	1.5	mA	Po=30mW
Optical Distance	$\Delta X, \Delta Y, \Delta Z$	-	-	± 60	μm	-
KINK	K-LI				%	
Astigmatism	As				μm	
PD Dark Current	I _d					V _R =10V
PD Capacitance	C _t				pF	V _{rd} =0.5V f=1MHZ

Egismos

<http://www.egismos.com>

TEL:+1-888-3481454

FAX:+1-604-4339864

E-Mail:sales@egismos.com

EGISMOS *DATASHEET*

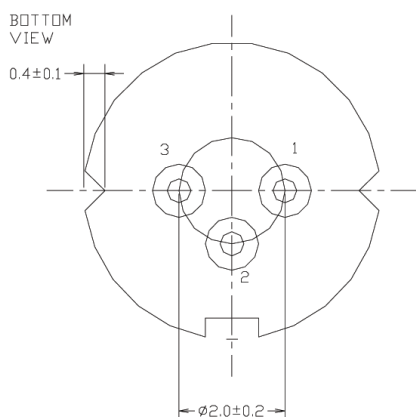
Absolute Maximum Rating at Tc=25°C

Items	Symbols	Values	Unit
Optical Output Power	P	30	mW
Laser Diode Reverse Voltage	V	2	V
Photo Diode Reverse Voltage	V	30	V
Operating Temperature	To	-10~+70	°C
Storage Temperature	Ts	-40~+85	°C

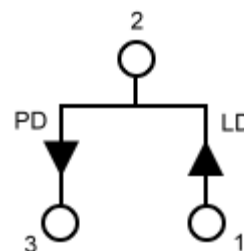


SS-D6-7-658-30

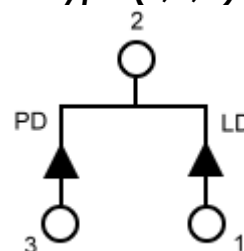
Electrical Connection



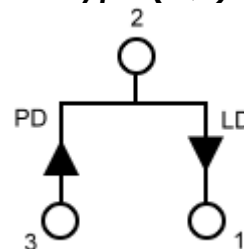
Package Type



P type (P,U,C)



M type (M,R)



N type (N,L,A)

EGISMOS

<http://www.egismos.com>

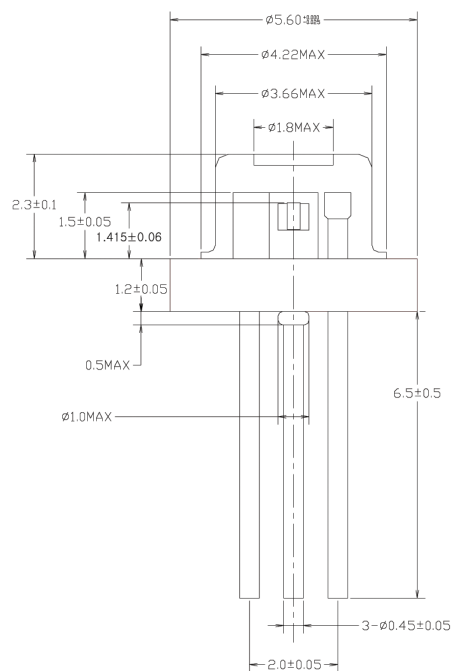
TEL:+1-888-3481454

FAX:+1-604-4339864

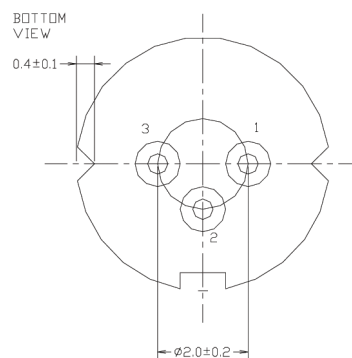
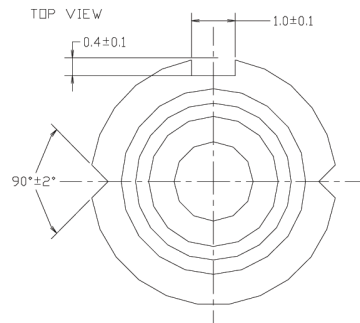
E-Mail:sales@eGismos.com

Egismos *DATASHEET*

Laser Diode Package Drawing



SS-D6-7-658-30



Egismos

<http://www.egismos.com>

TEL: +1-888-3481454

FAX: +1-604-4339864

E-Mail: sales@egismos.com