

# Egismos *DATASHEET*

## 670nm Compact Laser Diode Modules Key features

Visible light  $\lambda = 670\text{nm}$   
Output powers = 10mW  
Package type = 5.6mm $\phi$   
High reliability

### Applications

Laser Pointer & General Purpose Red Laser Light Source  
Bar Code Reader & High Precision Measuring Instruments  
Laser Module & High Precision Engineering Instruments

### Laser Diode Solutions

SS-D6-7-670-10 is a MOCVD grown 670nm band InGaAlP laser diode. It's an attractive light source, with a typical light output power of 10mW. It's suitable for use as high reliability laser diode in a wide range of industrial application.

### Electrical and Optical Characteristics at $T_c = 25^\circ\text{C}$

Item	Symbols	Min.	Typ.	Max.	Unit	Condition
Optical Output Power	Po	-	10	-	mW	-
Threshold Current	I <sub>th</sub>	-	20	40	mA	-
Operating Current	I <sub>op</sub>	-	40	80	mA	Po=10mW
Operating Voltage	V <sub>op</sub>	-	2.3	2.6	V	Po=10mW
Lasing Wavelength	$\lambda_p$	660	670	680	nm	Po=10mW
Beam Divergence	$\Theta_{//}$	7	9	11	deg	Po=10mW
	$\Theta_{\perp}$	20	28	35	deg	Po=10mW
Beam Angle	$\Delta\Theta_{//}$	-	-	4.5	deg	Po=10mW
	$\Delta\Theta_{\perp}$	-	-	4.5	deg	Po=10mW
Monitor Current	I <sub>m</sub>	0.1	0.2	0.5	mA	Po=10mW
Astigmatism			8		$\mu\text{m}$	
Optical Distance	$\Delta X, \Delta Y, \Delta Z$	-	-	60	$\mu\text{m}$	



SS-D6-7-670-10

**Egismos**

<http://www.egismos.com>

TEL: +1-888-3481454

FAX: +1-604-4339864

E-Mail: [sales@egismos.com](mailto:sales@egismos.com)

# Egismos *DATASHEET*

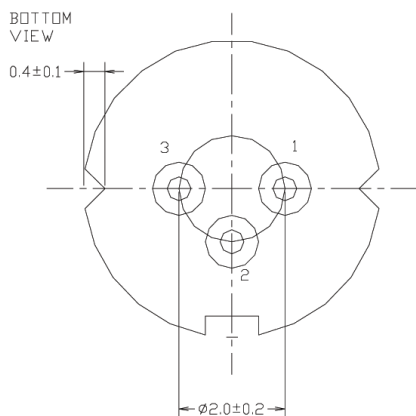
## Absolute Maximum Rating at Tc=25°C

Items	Symbols	Values	Unit
Optical Output Power	Po	12	mW
Laser Diode Reverse Voltage	V	2	V
Photo Diode Reverse Voltage	V	30	V
Operating Temperature	To	-10~+70	°C
Storage Temperature	Ts	-40~+80	°C

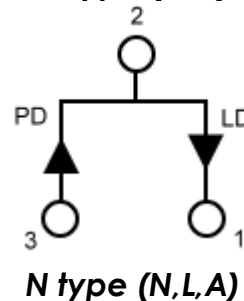
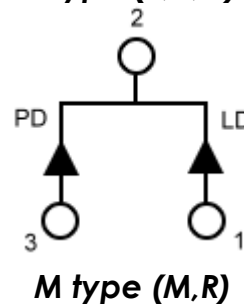
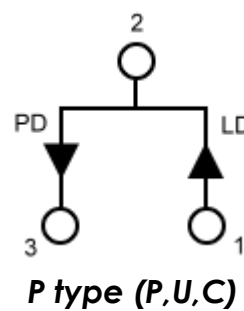


SS-D6-7-670-10

## Electrical Connection



## Package Type

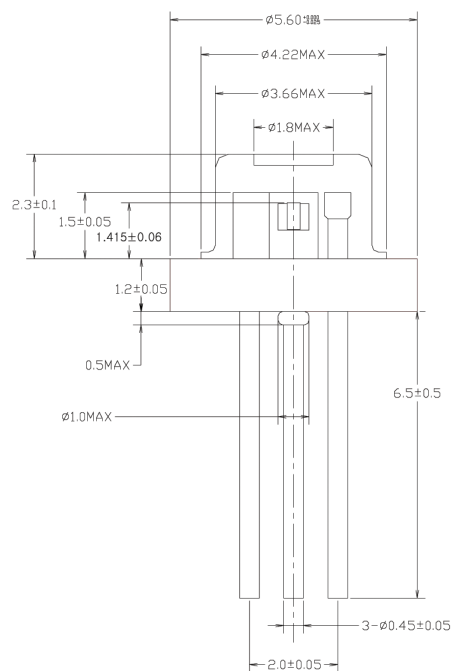


**Egismos**

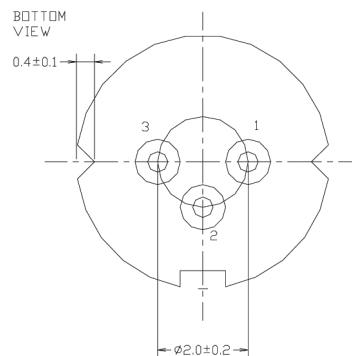
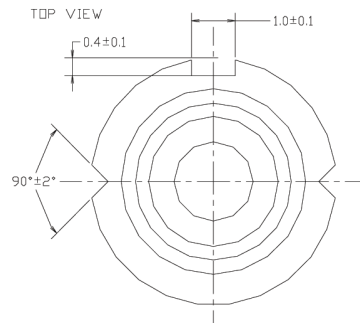
<http://www.egismos.com>  
 TEL:+1-888-3481454  
 FAX:+1-604-4339864  
 E-Mail:sales@eGismos.com

# Egismos *DATASHEET*

## Laser Diode Package Drawing



SS-D6-7-670-10



**Egismos**

<http://www.egismos.com>  
TEL: +1-888-3481454  
FAX: +1-604-4339864  
E-Mail: sales@eGismos.com