

Egismos *DATASHEET*

670nm Compact Laser Diode Modules Key features

Visible light $\lambda = 670\text{nm}$
Output powers $\approx 5\text{mW}$
Package type $= 5.6\text{mm}\phi$
High reliability

Applications

Laser Pointer & General Purpose Red Laser Light Source
Bar Code Reader & High Precision Measuring Instruments
Laser Module & High Precision Engineering Instruments

Laser Diode Solutions

SS-D6-7-670-5 is a MOCVD grown 660nm band InGaAlP laser diode. It's an attractive light source, with a typical light output power of CW 5mW. It's suitable for use as high reliability laser diode in a wide range of industrial application.

Electrical and Optical Characteristics at $T_c = 25^\circ\text{C}$

Item	Symbols	Min.	Typ.	Max.	Unit	Condition
Optical Output Power	Po	-	5	-	mW	-
Threshold Current	I _{th}	-	20	40	mA	-
Operating Current	I _{op}	-	30	45	mA	Po=5mW
Operating Voltage	V _{op}	-	2.3	2.6	V	Po=5mW
Lasing Wavelength	λ_p	660	670	680	nm	Po=5mW
Beam Divergence	$\Theta_{//}$	7	9	11	deg	Po=5mW
	Θ_{\perp}	20	28	35	deg	Po=5mW
Beam Angle	$\Delta\Theta_{//}$	-	-	4.5	deg	Po=5mW
	$\Delta\Theta_{\perp}$	-	-	4.5	deg	Po=5mW
Monitor Current	I _m	0.1	0.2	0.5	mA	Po=5mW
Astigmatism			8		μm	
Optical Distance	$\Delta X, \Delta Y, \Delta Z$	-	-	60	μm	



SS-D6-7-670-5

Egismos

<http://www.egismos.com>

TEL: +1-888-3481454

FAX: +1-604-4339864

E-Mail: sales@egismos.com

Egismos *DATASHEET*

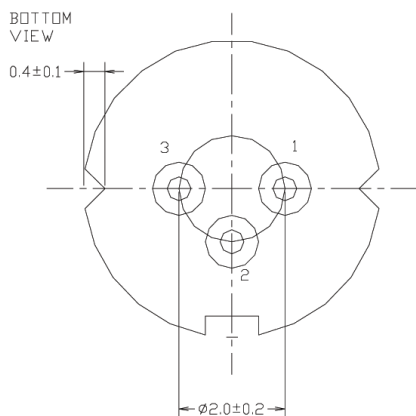
Absolute Maximum Rating at Tc=25°C

Items	Symbols	Values	Unit
Optical Output Power	Po	7	mW
Laser Diode Reverse Voltage	V	2	V
Photo Diode Reverse Voltage	V	30	V
Operating Temperature	To	-10~+70	°C
Storage Temperature	Ts	-40~+80	°C

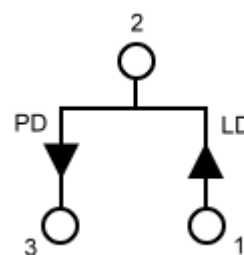


SS-D6-7-670-5

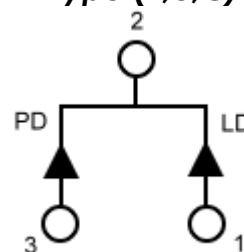
Electrical Connection



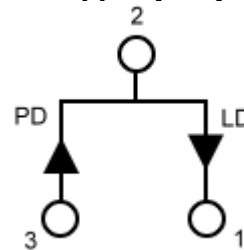
Package Type



P type (P,U,C)



M type (M,R)



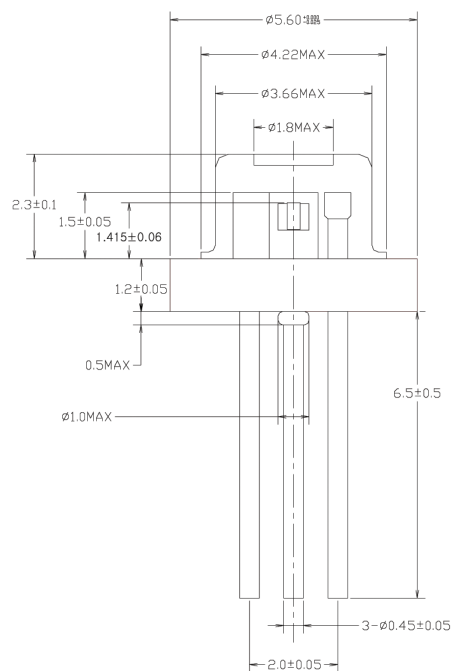
N type (N,L,A)

Egismos

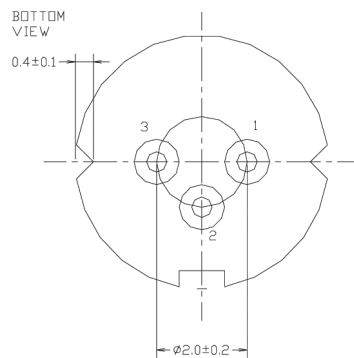
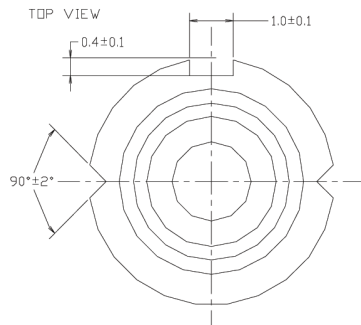
<http://www.egismos.com>
 TEL:+1-888-3481454
 FAX:+1-604-4339864
 E-Mail:sales@eGismos.com

Egismos *DATASHEET*

Laser Diode Package Drawing



SS-D6-7-670-5



Egismos

<http://www.egismos.com>
TEL: +1-888-3481454
FAX: +1-604-4339864
E-Mail: sales@eGismos.com