

EGISMOS *DATASHEET*

905nm Compact Laser Diode Modules Key features

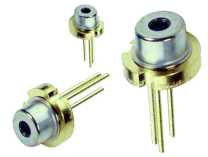
Visible light $\lambda = 905\text{nm}$
 Output powers = 10mW
 Package type = 5.6mm ϕ
 High reliability

Applications

General Purpose Infrared Rays Laser Light Source
 Infrared Red Laser Module for Industry Application
 Optical Sensor Application of Engineering Instruments

Laser Diode Solutions

SS-D6-7-905-10 is a MOCVD grown 905nm band InGaAs laser diode. It's an attractive light source, with a typical light output power of CW 10mW. It's suitable for use as high reliability laser diode in a wide range of industrial application.



SS-D6-7-905-10

Electrical and Optical Characteristics at Tc=25°C

Item	Symbols	Min.	Typ.	Max.	Unit	Condition
Optical Output Power	Po	-	10	-	mW	-
Threshold Current	Ith	-	15	25	mA	-
Operating Current	Iop	-	40	60	mA	Po=10mW
Slope Efficiency	SE	0.3	0.5	0.7	mW/mA	
Operating Voltage	Vop	1.6	2.0	2.5	V	Po=10mW
Peak Wavelength	λ_p	895	905	915	nm	Po=10mW
Beam Divergence	$\Theta_{//}$	9	13	15	deg	Po=10mW
	Θ_{\perp}	26	33	36	deg	Po=10mW
Beam Angle	$\Delta\Theta_{//}$	-	-	± 2.5	deg	Po=10mW
	$\Delta\Theta_{\perp}$	-	-	± 3.0	deg	Po=10mW
Monitor Current	Im	0.1	0.4	0.6	mA	Po=10mW
Optical Distance	$\Delta X, \Delta Y, \Delta Z$	-	-	± 60	μm	Po=10mW
Astigmatism	As	-	-	15	μm	

EGISMOS

<http://www.egismos.com>
 TEL: +1-888-3481454
 FAX: +1-604-4339864
 E-Mail: sales@eGismos.com

Egismos *DATASHEET*

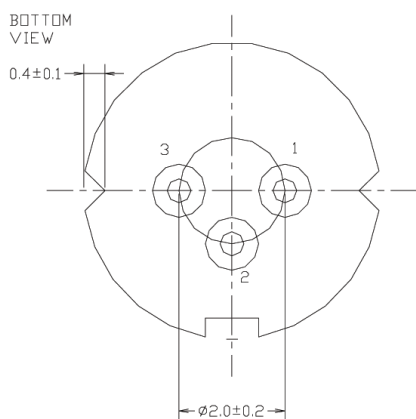
Absolute Maximum Rating at Tc=25°C

Items	Symbols	Values	Unit
Optical Output Power	Po	12	mW
Laser Diode Reverse Voltage	V	2	V
Photo Diode Reverse Voltage	V	30	V
Operating Temperature	To	-10~+70	°C
Storage Temperature	Ts	-40~+85	°C

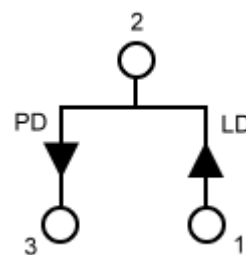


SS-D6-7-905-10

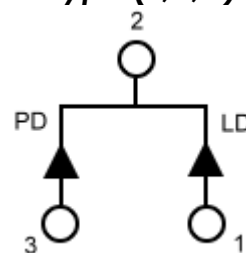
Electrical Connection



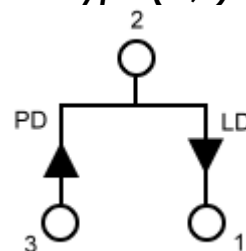
Package Type



P type (P,U,C)



M type (M,R)



N type (N,L,A)

Egismos

<http://www.egismos.com>

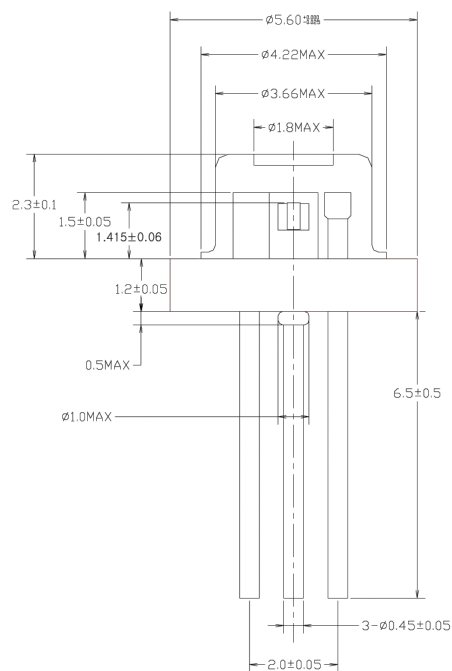
TEL:+1-888-3481454

FAX:+1-604-4339864

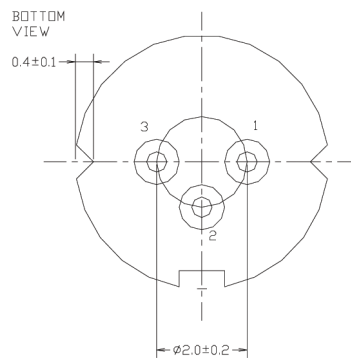
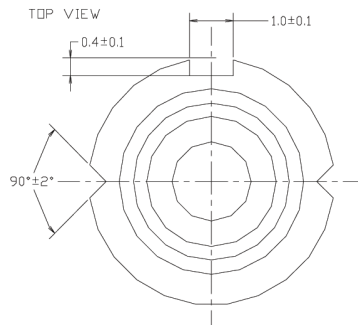
E-Mail:sales@eGismos.com

Egismos *DATASHEET*

Laser Diode Package Drawing



SS-D6-7-905-10



Egismos

<http://www.egismos.com>

TEL: +1-888-3481454

FAX: +1-604-4339864

E-Mail: sales@egismos.com