

Egismos *DATASHEET*

532nm Compact Laser Diode Modules Key features

Visible light $\lambda=532\text{nm}$
Output power $<10\text{mW}$, $<25\text{mW}$
Dimension $20\text{mm} \times 60\text{mm}$
High stability

Applications

Green laser light source
Brighter visibility
Industrial alignment
Patient position

Laser Diode Solutions

The 532nm DPSS Green Laser Diode Modules produce a collimated output beam with output powers of $<10\text{mW}$ or $<25\text{mW}$. Operating voltage is from 2.8V to 6V DC at an operating current of 200~350mA, 240mA typ. ($<10\text{mW}$) or 280mA typ. ($<25\text{mW}$). Beam divergence is $<1.2\text{mrad}$ and operating temperature range is 15°C to $+40^\circ\text{C}$.

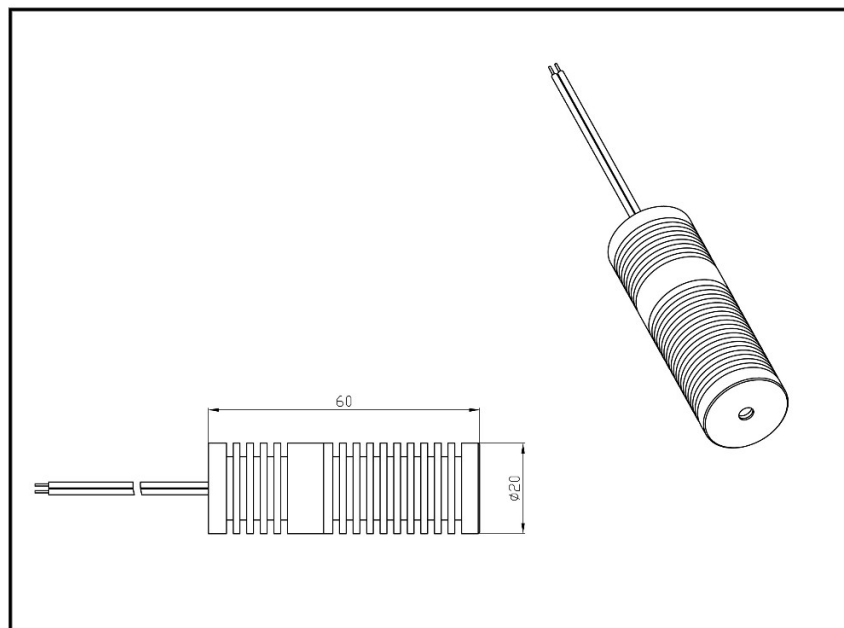
The modules consist of a aluminum housing, laser diode, crystal, drive circuit and collimating/focusing lens.

Electrical connections are made via external flying leads. The lens may be adjusted to produce either a collimated beam or focused spot.

The compact design has made SC3532/HC3532 series DPSS green laser diode modules suitable for general purpose OEM application.



SC3532
Laser Module



Egismos

<http://www.egismos.com>

TEL:+1-888-3481454

FAX:+1-604-4339864

E-Mail:sales@eGismos.com

Egismos *DATASHEET*

Specifications (typical @ $t_c=25^\circ\text{C}$)

Item.	symbol	SC353210D/R/L/C SC353225D/R/L/C	HC353210D/R/L/C HC353225D/R/L/C
Mode		CW	CW
Wavelength	λ	532nm	532nm
Laser Pattern		Dot/Line/Cross/Round/HOE	Dot/Line/Cross/Round/HOE
Dimeter x Length	$\Phi \times L$	20 x60 mm	20 x60 mm
Output Power	P_o	<10mW, <25mW	7~9mW, 18~22mW
Power Stability		< 20%	< 10%
Collimated Beam Size		<24mm at 10m	<10mm at 10m min. < 6mm at 10m
Collimated Beam Divergence		<1.2mrad	<0.5mrad min. < 0.3mrad
Operating Voltage(DC)	V_o	2.8-6.0V	2.8-6.0V
CW Operating Current	I_o	200~300mA typ., 350mA max.	200~300mA typ., 320mA max
Operating Temperature	T_o	+15 $^\circ\text{C}$ to +40 $^\circ\text{C}$	+10 $^\circ\text{C}$ to +45 $^\circ\text{C}$ or max. 0 $^\circ\text{C}$ to +50 $^\circ\text{C}$
Storage Temperature		-40 $^\circ\text{C}$ to +85 $^\circ\text{C}$	-40 $^\circ\text{C}$ to +85 $^\circ\text{C}$
Bore Sight		--	<12mm/m min. < 5mm/m
Span Angle		90 $^\circ \pm 5^\circ$ for Line/Cross	Any angle $\pm 3^\circ$ for Line/Cross
Houseing Material		Brass/Aluminum	Brass/Aluminum
Mean time to failure(MTTF)		>5,000 hrs	>8,000 hrs



Laser Safety

The light emitted from these devices has been set in accordance with IEC60825. However, staring into the beam, whether directly or indirectly, must be avoided. IEC60825 classifies laser products into three different categories depending on light emitted, wavelength and eye safety.

CLASS II

"Caution", visible laser light less than 1.0mW. Considered eye safe, normal exposure to this type of beam will not cause permanent damage to the retina.

CLASS IIIR

"Danger", visible laser light between 1.0mW and 5.0mW. Considered eye safe with caution. Focusing of this light into the eye could cause some damage.

CLASS IIIB

"Danger", infrared (IR), and high power visible lasers considered dangerous to the retina if exposed. NB: It is important to note that while complying with the above classifications, unless otherwise stated, our laser diode products are not certified and are designed solely for use in OEM products. The way in which the device is used in the final product may alter its original design classification, and it is the responsibility of the OEM to ensure compliance with the relevant standards.

Egismos

<http://www.egismos.com>

TEL: +1-888-3481454

FAX: +1-604-4339864

E-Mail: sales@egismos.com